



SEBO FELIX  
PREMIUM & KOMBI

MADE IN GERMANY

# OWNER'S MANUAL

For Household Use Only



FELIX PREMIUM



FELIX KOMBI



# TABLE OF CONTENTS

|  |           |
|--|-----------|
| <b>Technical Details</b> .....   | <b>2</b>  |
| <b>How To Contact SEBO</b> .....   | <b>2</b>  |
| <b>Important Safety Instructions</b> .....                                       | <b>3</b>  |
| <b>SEBO FELIX Product Features</b> .....   | <b>4</b>  |
| ET Power Head Features .....   | 4         |
| <b>Standard Features of all SEBO Vacuums</b> .....                               | <b>5</b>  |
| S-Class Filtration .....   | 5         |
| <b>Optional Attachments, Accessories, Bags and Filters</b> .....                 | <b>6</b>  |
| <b>Identification of Parts</b> .....   | <b>7</b>  |
| Standard Attachments .....   | 7         |
| Power Heads and Floor Tools .....  | 7         |
| <b>Assembly</b> .....  | <b>7</b>  |
| <b>Operating Instructions</b> .....  | <b>8</b>  |
| Starting the Machine .....   | 8         |
| Operating the Machine .....  | 8         |
| Using the Hose Handle & Attachments .....  | 8         |
| Detachable Suction Unit .....  | 8         |
| Bag Full or Clog Warning – Auto Shut-Off .....                                   | 8         |
| <b>Additional Operating Instructions for FELIX Premium with Power Head</b> ..... | <b>9</b>  |
| Operating with the Power Head .....  | 9         |
| Brush Obstruction Light - Auto Shut-Off .....                                    | 9         |
| The Brush Height Adjustment Feature .....  | 9         |
| Indicator Lights .....   | 9         |
| <b>Power Head Maintenance</b> .....  | <b>10</b> |
| Removing the Brush Roller .....  | 10        |
| Cleaning the Brush Roller .....  | 10        |
| <b>Use and Maintenance of Floor Tools and Brushes</b> .....                      | <b>10</b> |
| The Premium Parquet Brush .....  | 10        |
| The Kombi Nozzle .....   | 10        |
| <b>Vacuum Maintenance</b> .....  | <b>11</b> |
| Changing the Filter Bag .....  | 11        |
| Changing the Motor Protection/Carbon Filter .....                                | 11        |
| Changing the Exhaust Filter .....  | 11        |
| <b>Clog Removal</b> .....  | <b>12</b> |
| Clogs in the Hose .....  | 12        |
| Clogs in the Swivel Neck .....   | 12        |
| <b>Clog Removal in the Power Head</b> .....                                      | <b>12</b> |
| Clogs in the Airflow Pathway .....   | 12        |
| Clogs in the Swivel Neck .....   | 12        |
| <b>Trouble-Shooting Guide</b> .....  | <b>13</b> |
| <b>Additional Trouble-Shooting Guide for Power Heads</b> .....                   | <b>14</b> |
| <b>Premium/Kombi - Bag Housing with Handle Schematic and Part Numbers</b> .....  | <b>15</b> |
| <b>Premium - 12" Power Head (ET-1) Schematic and Part Numbers</b> .....          | <b>16</b> |
| <b>Premium Ice Blue - 15" Power Head (ET-2) Schematic and Part Numbers</b> ..... | <b>17</b> |

## TECHNICAL DETAILS - VACUUM

|   |                |
|---|----------------|
| Vacuum motor                              | 1300 Watts     |
| Water lift (at motor)                     | 90 inches      |
| Airflow (at motor)                        | 102 CFM        |
| Filter bag capacity                       | .92 gallon     |
| Sound level                               | 82 dB (A)      |
| Body weight (depending on the attachment) | 9.9 - 15.4 lbs |
| Cord length                               | 31 feet        |
| Range                                     | 34.5 feet      |

Technical details may be subject to change.

## TECHNICAL DETAILS - POWER HEADS

|              | <b>ET-1</b>                                      | <b>ET-2</b>                                      |
|--------------|--|--|
| Brush motor  | 175 Watts, 1.6 Amps                              | 200 Watts, 1.8 Amps                              |
| Width        | 12 inches  | 15 inches  |
| Weight       | 5.4 lbs.   | 5.7 lbs.   |
| Brush roller | Replaceable                                      | Replaceable                                      |
| Brush drive  | Toothed belt with electronic overload protection | Toothed belt with electronic overload protection |

Technical details may be subject to change.

## HOW TO CONTACT SEBO

### To contact SEBO in the United States of America:

SEBO America, LLC  
 Telephone: (800) 334-6614 • Fax: (303) 792-9196  
 Website: [www.sebo.us](http://www.sebo.us)

### To contact SEBO in Canada:

Floor Care Equipment, Ltd.  
 Telephone: (800) 661-8687 • Fax: (800) 270-4807  
 Website: [www.sebocanada.ca](http://www.sebocanada.ca)

# IMPORTANT SAFETY INSTRUCTIONS



## **READ ALL INSTRUCTIONS BEFORE USING THIS MACHINE**

### **When using an electrical appliance, basic precautions must always be followed.**

To reduce the risk of electric shock, this vacuum cleaner has a polarized plug; one blade is wider than the other. This plug will fit in a polarized outlet only one way. If the plug does not fit fully in the outlet, reverse the plug. If it still does not fit, contact a qualified electrician to install the proper outlet. Do not change the plug in any way. Connect only to the outlet type specified on the serial number plate underneath the machine.

### **SAVE THESE INSTRUCTIONS.**

## **WARNING: To reduce the risk of fire, electric shock, or injury:**

1. Do not leave vacuum while plugged in. Unplug from outlet when not in use and before servicing.
2. Do not use outdoors or on wet surfaces.
3. Do not use near small children or pets. Do not allow to be used as a toy. Use of this product by children should always be supervised by an adult.
4. Use only as described in this manual. Use only manufacturer-recommended attachments.
5. Do not use with a damaged cord or plug. If vacuum is not working as it should, has been dropped, damaged, left outdoors, or dropped into water, take it to a SEBO service center.
6. Do not pull or carry by cord, use cord as a handle, close a door on cord, or pull cord around sharp edges or corners. Do not run vacuum over cord. Keep cord away from heated surfaces.
7. Do not unplug by pulling on cord. To unplug, grasp the plug – not the cord.
8. Do not plug in if power switch is in the “ON” position.
9. Do not use outlets above counters to plug in vacuum – damage to items in the surrounding area could occur.
10. Always carry the vacuum over steps and sills.
11. Do not handle plug or vacuum handle with wet hands.
12. Do not put any object into vacuum openings. Do not use machine with any openings blocked. Keep openings free of lint, hair, and anything that may reduce air flow.
13. Do not re-use filter bags or wash the filters.
14. Do not remove any screws from vacuum.
15. Do not vacuum up anything that is burning or smoking, such as cigarettes, matches, or hot ashes.
16. Do not use vacuum without filter bag and/or filters in place.
17. Turn off all machine controls before unplugging.
18. Use extra care when cleaning on stairs.
19. Do not use machine to vacuum up flammable or combustible liquids such as gasoline or use in areas where they may be present.
20. Machines can cause a fire when operated near flammable vapors or materials. Do not operate this vacuum near flammable fluids, dust or vapors.
21. Maintenance and repairs must be done by qualified personnel.
22. Use only original SEBO replacement parts.
23. Do not use vacuum as a step.
24. Do not use the handle assembly (5), which inserts into the top of the filter bag housing, to carry the machine. The carrying handle is located on the side of the machine.
25. If vacuum is used on plush carpet or carpet with thick padding, do not leave machine standing in one place with machine turned on.
26. While the vacuum is in use, the power cord should be unwound from the cable reel at least two thirds of its length.
27. Keep hair, loose clothing, fingers, and all parts of body away from vacuum openings and moving parts. Do not place fingers or other body parts under vacuum unless it is unplugged. Do not touch the brush roller while the machine is plugged in.
28. Do not place the power head over rug or carpet edges.
29. Store the vacuum in a dry place at room temperature. When the vacuum is not in use, you should rewind the cord onto the cord reel.
30. Any other servicing should be performed by an authorized service representative.
31. Avoid picking up sharp objects.
32. Always unplug vacuum before connecting or disconnecting either hose or power head.
33. Use a SEBO power head only in combination with a SEBO vacuum cleaner.
34. Do not connect power head to a malfunctioning or damaged vacuum.

# SEBO FELIX PRODUCT FEATURES

**DESIGNED FOR CARPETS AND HARD FLOORS** – The stylish FELIX offers all the flexibility of a canister vacuum in an upright configuration! It has a “flex” neck with amazing 180° steering ability, an ultra-modern filtration system, a detachable suction unit that becomes a hand-held vacuum, and an instant-use suction hose.

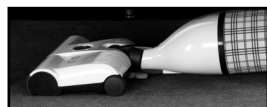
**Detachable Suction Unit Creates a Hand-held Portable Vacuum** – By removing the power head or nozzle, the FELIX instantly transforms from an upright floor vacuum into a handheld portable vacuum, ideal for cleaning stairs, upholstery and car interiors. It can be easily carried using its side handle or the optional shoulder strap attachment.



**Superb Maneuverability** – A unique 180° turning swivel neck offers superb maneuverability around and under furniture.



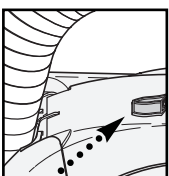
**A Flat-to-the-floor 6-inch Profile** – The vacuum's low profile makes cleaning under furniture and beds easy!



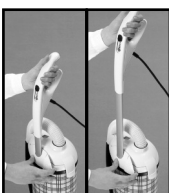
**Instant-use Suction Hose** – The integrated instant-use suction hose is always ready! Just pull it out to clean corners, crevices or furniture. Two on-board tools and a range of optional attachments can be fitted to the hose, such as a 20-inch wand for cleaning hard-to-reach areas or a 9-foot extension hose, which creates a total length of 15 feet...perfect for cleaning stairs.



**Full Bag or Clog Indicator** – When a full bag, a clog in the airflow pathway, or an excessively dirty microfilter is detected, an indicator gauge on the bag housing lid “fills” with orange color and an airflow bypass valve opens, to prevent overheating and motor damage from a lack of adequate airflow.



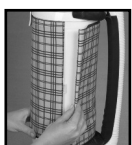
**Three-level Adjustable Handle** – This feature provides compact storage, maneuverability when suction unit is detached, and easy adjustment to user height requirements.



**Variable Suction Control on Handle with Soft Start** – The user can select the suction power needed, from curtains to carpet. And its gradual power-up extends motor life.



**Innovative Exhaust Filter...Design and Functionality** – Behind the stylish surface hides an ultra-modern S-class exhaust microfilter that not only provides excellent filtration, but it also absorbs motor noise, resulting in extremely quiet operation.



**Thirty-one Foot Cord with Rotating Quick-release Hook** – It is easy to quickly unwind the cord by rotating the hook!



**FELIX Premium Model Includes Power Head, Two On-board Tools and Parquet Brush** – Along with a commercial quality power head, the FELIX Premium comes standard with a crevice tool, upholstery nozzle and a premium parquet brush, which is perfectly designed for cleaning hard floors.

**FELIX Kombi Model Includes Kombi Nozzle and Two On-board Tools** – The FELIX Kombi does not have a power head. Instead, it includes a Kombi nozzle (a straight suction nozzle for hard floors and rugs), crevice tool and upholstery nozzle. The Kombi can accommodate a FELIX Premium power head, which can be purchased separately.

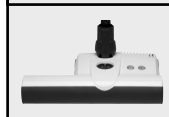
## ET Power Heads - Designed for All Floor Surfaces.

The power head deep cleans carpets, or its spinning brush roller can be shut off to clean delicate rugs and hard floors with straight suction. It also has easy brush roller removal, and an orange warning light illuminates when brush height is set too high for optimal cleaning, the bristles are worn, or automatic shut-off occurs due to a brush obstruction.

**Two Power Head Widths with One-sided Edge Cleaning** – The FELIX 1 Premium model is 12 inches wide with a 10 ½-inch cleaning path. The FELIX 2 Premium - Ice Blue is 14 ¾ inches wide with a 13-inch cleaning path.



**Multi-surface Cleaning Capabilities** – With a power head for carpets and a parquet brush for hard floors, the FELIX PREMIUM provides all the cleaning flexibility of a canister vacuum!



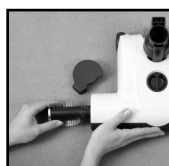
**Manual and Automatic Brush Shut Off** – The FELIX can clean delicate rugs or hard floors with straight suction because the brush roller can be manually switched off by pressing the green illuminated on/off button on the power head cover. Also, the brush roller automatically shuts off when the suction hose is removed from its housing port or when the handle is in its upright locked position.

**Brush Obstruction Light with Automatic Brush Shut Off** – If an obstruction jams the brush roller, an orange warning light on the power head illuminates and the brush roller stops spinning. This feature prevents the belts from breaking and protects the motor and carpet from damage.



**Four-level Manual Brush Height Adjustment** – The brush can be adjusted up or down for optimal cleaning effectiveness.

**Easy Brush Removal and Cleaning** – Cleaning hair or other debris from the brush roller or replacing it when its bristles are worn is quick and easy, and no tools are required! This feature ensures consistently effective brush agitation of the carpet pile.



**Easy Maintenance** – The clog removal door and brush roller are easy to access on the power head.

# STANDARD FEATURES OF ALL SEBO VACUUMS

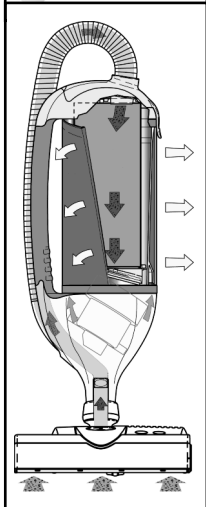
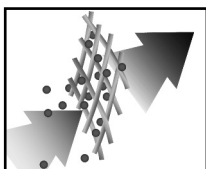
## SEBO's FILTRATION SYSTEM:

**Step One. Bags are Better!** – On all models, top-fill, three and four-layer bags are an integral part of SEBO's filtration system because they hold virtually all dirt captured by the vacuum, which improves the effectiveness and useful life of the microfilters. They also ensure continuously strong suction because dirt enters from the top, deposits at the bottom, accumulates upward, and air exits through the sides, which allows unimpeded airflow as they fill to capacity. And they can be sealed when full, so no dust can escape into the air during bag removal and disposal.

In contrast, without bags to hold nearly all the captured dirt, the microfilters on bagless vacuums quickly clog from excessive dirt build-up and must be replaced often, or a loss of suction and cleaning effectiveness will occur. In addition, dust and other allergens become airborne when emptying bagless dirt containers. Lastly, bagless vacuum microfilters are expensive, usually costing more than a multi-year supply of SEBO filter bags.

**Step Two. Pre-motor Filters** – Pre-motor filters clean suction air after it passes through the filter bag, but before it passes over the vacuum motor. Cooling the motor with clean air is important because this increases useful life expectancy.

**Step Three. S-class Exhaust Microfilters** – S-class Exhaust Microfilters (S = "Schwebstoff" = airborne particles) are made from electrostatically charged micro-fiber material, which attracts and captures dust particles from the airflow of the vacuum after it passes over the motor to cool it. This means that exhaust air is cleaned to the highest level. The S-class Standard requires filters to absorb greater than 99.9% of particles down to 0.3 microns in diameter. For comparison, 100 microns is the diameter of a human hair. Their advantages are a relatively open texture that allows smoother airflow for better suction performance, a longer life expectancy, and they cost less than HEPA filters.



**Designed and Manufactured in Germany** – Legendary quality, reliability and performance make SEBO vacuums the choice of cleaning professionals throughout the world.

**Excellent for Users With Allergies or Asthma** – The British Allergy Foundation recommends SEBO filters.

**Tightly Sealed Vacuums Ensure Effective Filtration** – Dirty air, which flows through a vacuum, can only be filtered completely if it does not escape into the room through seams or seals in the machine. This is why all SEBO vacuums have tight seals throughout. Many vacuum companies with high-filtration claims are actually quoting specifications made by the manufacturer of the filter material, as measured in the laboratory, not the filtration effectiveness of the vacuum itself while operating. Whether or not dirty air can escape through leaks in the body of the machine is not considered. The filtration effectiveness of SEBO vacuums is tested while they operate.

**Save Money! SEBO Vacuums Last for Years and Extend Carpet Life!** – If properly maintained, SEBO vacuums save ordinary residential users hundreds of dollars by providing excellent performance for ten to fifteen years or more, and their deep-cleaning power-brush technology extends the life of carpets. Typical vacuums perform poorly, even when new, and usually do not last beyond two years. So six or seven "disposable vacuums" must be purchased during the average life expectancy of just one SEBO machine.

**Outstanding Warranty Coverage** – SEBO is confident about the quality of all its vacuums. Therefore, all models include a five-year warranty on the motor and all non-wear parts.

**SEBO Microfilters Ensure Continuously Strong Suction Performance** – They are also long lasting, inexpensive and easy to change in seconds.

**Changing Bags is Easy and Clean** – SEBO filter bags can be changed in just a few seconds, and a cap keeps dust sealed inside during removal and disposal.



**Effective Pet Hair Removal** – All SEBO vacuums easily remove pet hair!



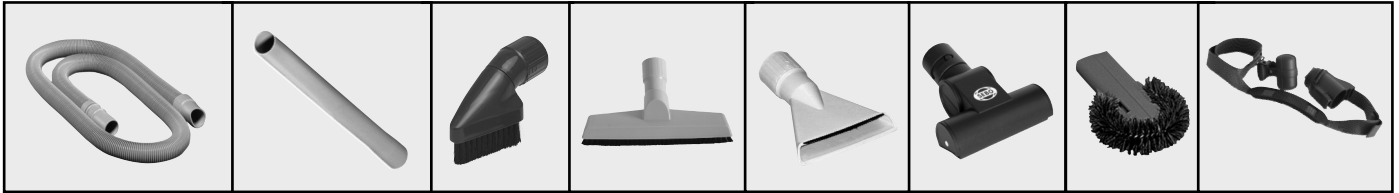
# OPTIONAL ATTACHMENTS, ACCESSORIES, BAGS & FILTERS

In addition to the standard on-board tools, a variety of optional attachments are available. The 9-foot extension hose (extends suction hoses) and the 20-inch extension tube are very popular because they create useful tools for cleaning stairs and out-of-reach areas. The Dusting Brush, Straight Tube and Extension Hose are sold separately and are also available as a 3-piece attachment kit. Another popular attachment is the hand-held Turbo Brush with an air driven rotating brush for removing pet hair from upholstery and stairs.

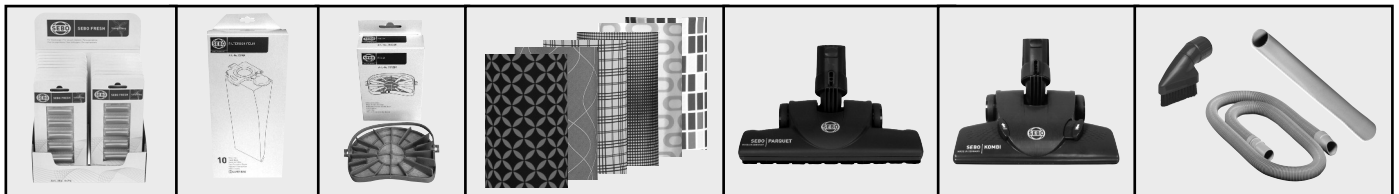
See page 10 for more information on the Premium Parquet Brush and Kombi Nozzle.

SEBO filter bags can be purchased in boxes of ten and filters are sold as a set. SEBO bags, filters and accessories are reasonably priced and widely available.

To create a fresh scent while vacuuming, "SEBO FRESH" is available. To use, deposit a scented stick in the filter bag.

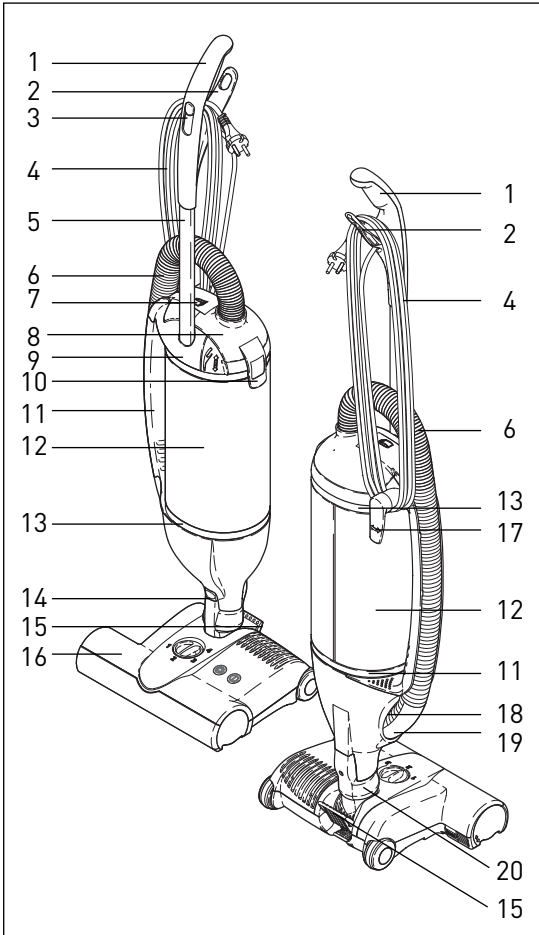


|                                       |  |                               |                                    |   |  |                                |                              |
|---------------------------------------|--|-------------------------------|------------------------------------|---|--|--------------------------------|------------------------------|
| 9-foot Extension Hose<br>Part #1495AM | 20-inch Extension Tube<br>Part #1084HG | Dusting Brush<br>Part #1387DG | Wall & Floor Brush<br>Part #1325HG | Flat Upholstery<br>Nozzle<br>Part #1090HG | Hand-held Turbo<br>Brush<br>Part #6179DA | Radiator Brush<br>Part #1496DG | Shoulder Strap<br>Part #7158 |
|---------------------------------------|--|-------------------------------|------------------------------------|---|--|--------------------------------|------------------------------|

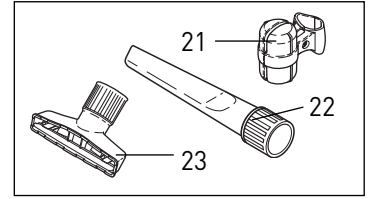


|                            |                                  |   |   |   |  |  |
|----------------------------|----------------------------------|---|---|---|--|--|
| SEBO FRESH<br>Part #0496AM | Filter Bags (10)<br>Part #7029ER | Motor Protection/<br>Carbon Filters<br>Part #7012ER | Exhaust Filter<br>Fun - Part #7095ER01<br>IceBlue - Part #7095ER02<br>Classic - Part #7095ER03<br>Onyx - Part #7095ER04<br>White - Part #7095ER11<br>Rosso - Part #7095ER12 | Premium Parquet Brush<br>Ice Blue, Onyx, White &<br>Rosso #7200GS<br>Fun #7200VO<br>Classic #7200SR | Kombi Nozzle<br>Ice Blue, Onyx, White &<br>Rosso #7260GS<br>Fun #7240VO<br>Classic #7240SR | 3-piece Attachment Kit<br>Part #1998AM |
|----------------------------|----------------------------------|---|---|---|--|--|

# IDENTIFICATION OF PARTS



1. Handle grip
2. Upper cable hook
3. On/Off switch, suction control slider
4. Power cable
5. Handle Assembly
6. Hose
7. Bag full indicator
8. Filter bag cover
9. Filter bag housing
10. Filter bag housing release latch
11. Carrying handle
12. Exhaust filter
13. Exhaust filter clamps
14. Tool release button
15. Foot pedal
16. Power head
17. Cable hook
18. Suction opening
19. Hose handle
20. Swivel neck



## Standard Attachments

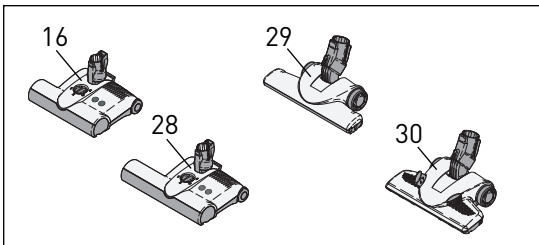
21. Attachment clip
22. Crevice Nozzle
23. Upholstery Nozzle

## Power Heads

16. ET-1: 12-inch Power head, Standard on Premium, optional for Kombi. White, orange, red, ivory or black
28. ET-2: 15-inch Power head, Standard on ICE Blue 2, optional for Ice Blue Kombi. White

## Floor Tools

29. Premium Parquet Brush, standard on Premium, optional for Kombi. Gray black, orange or ivory
30. Kombi Nozzle, standard on Kombi, optional for Premium. Gray black, orange or ivory



# ASSEMBLY

Place the power head (16, 28) or floor tool (29, 30) on the floor with the swivel neck (20) upright. Hold the vacuum vertically and Insert the suction opening of the vacuum into the swivel neck of the head or tool. Push firmly and evenly downward until the tool release button (14) snaps into the locked position - see figure 1.

Insert the black end of the hose (6) into the connection on the filter cover (8) - see figure 2a. Insert the hose handle (19) into the suction opening (18) on the side of the vacuum - see figure 2b. **Note:** Hose must be fully inserted to activate the power head. Press the hose into place on the side of the machine.

Install the attachment clip (21) to the handle assembly (5) using the included screw. Insert the crevice nozzle and upholstery nozzle into the clip - see figure 3.

**NOTE:** All illustrations shown in this manual represent the FELIX Premium model except where part numbers and instructions are different for each model.

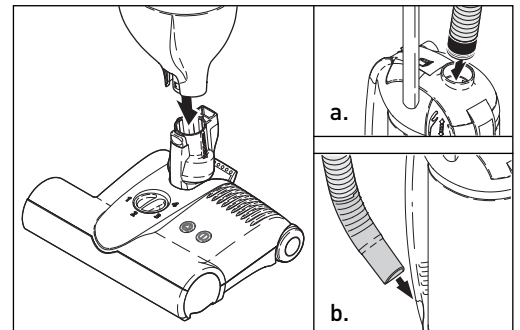


Figure 1

Figure 2

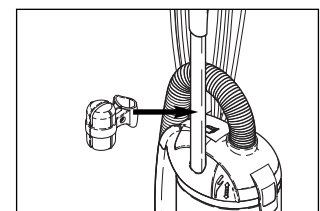


Figure 3



# OPERATING INSTRUCTIONS

## Starting The Machine - Figures 3, 4 & 5

Before turning on your vacuum cleaner, make sure that the vacuum is in its upright locked position and that you have a firm hold on the handle grip to keep the machine from moving forward.

1. With the power switch (3) in the OFF position, turn the cable hook (17) to the left or right to release the cable (4). Lift the cable off the upper cable hook - see figure 3.
2. Adjust the telescopic handle tube (5) to the correct height by pulling out the handle release lever (32) and gently pulling the tube out to lengthen, or pushing it in to shorten. The tube will click into place when it reaches one of the three lengths available. Release the tab. If the tab does not fit snugly in place, the tube is set at an incorrect setting. Pull or push the tube until it locks into one of the three settings - see figure 4.
3. Plug the polarized power cord into a 120 volt wall outlet located near the floor.
4. Slide the On/OFF switch (3) downward toward the MAX position - see figure 5.

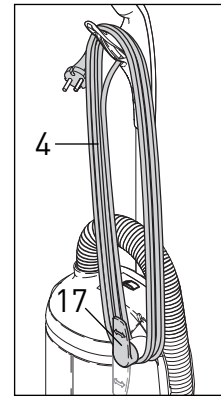


Figure 3

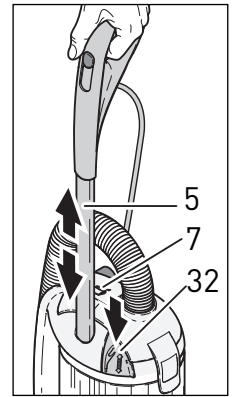


Figure 4

## Operating the Machine - Figures 5 & 6

You may adjust the suction control with the suction control slider (3) as you vacuum different surfaces or when using the accessory tools. Slide the button upward for less suction or downward for more suction - see figure 5

When changing power heads and floor tools, always switch the vacuum off with the main power switch (3), and then unplug the power cord. **NOTE:** When switching off the power switch, always make sure the switch "clicks" into the OFF position before unplugging the power cord.

When you have finished using the vacuum, turn it off by sliding the on/off switch to the OFF position. Then, unplug the cord and wind it onto the upper cable hook and upper hook. The rubber tip on the end of the handle allows the vacuum to be propped against a wall without damage.

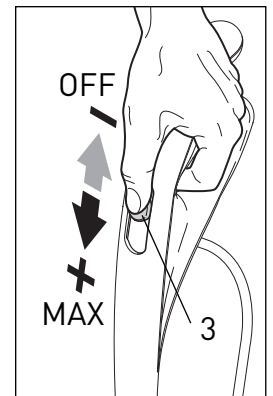


Figure 5

## Using the Hose Handle, Hose & Attachments - Figures 6 & 7

The hose handle (19) is useful for vacuuming corners and hard-to-reach areas. You may use the hose handle with or without an attachment. Pull the hose handle (19) from the suction opening (18) in the side of the vacuum. Keep a firm hold on the handle grip while using the hose handle as it could tip if the hose is pulled too far. The standard attachments [the crevice nozzle (22) and upholstery nozzle (23)] and optional attachments [the hand-held Turbo brush (24), dusting brush (25), straight tube (26) and extension hose (27)] may be inserted onto the hose handle. It is not necessary to turn off the vacuum while switching the attachments. **NOTE:** When using the hose and attachments, keep the vacuum in its upright position.

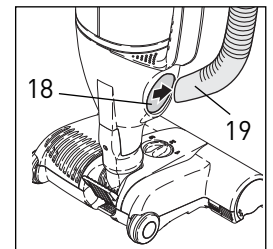


Figure 6

To change a floor tool or power head, switch off the power and unplug the vacuum. Press the tool release button (14) and pull the vacuum out of the swivel neck (20). Insert the vacuum into the new tool and push down gently until it snaps into place. Plug the vacuum in and switch the power on.

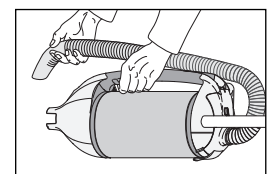


Figure 7

## Detachable Suction Unit - Figure 7

When detached from the power head, or floor tool, the FELIX transforms itself into a lightweight, powerful suction unit, which can be carried around using its comfortable carrying handle (figure 7).

Ideal for cleaning stairs, car interiors or upholstery. To remove a floor tool or power head, switch off the power and unplug the vacuum. Press the tool release button (14) and pull the vacuum out of the swivel neck (20).

## Full Bag or Clog Indicator - Figure 4

When a full bag, a clog in the airflow pathway, or an excessively dirty microfilter is detected, an indicator gauge on the bag housing lid (7) "fills" with orange color. The user should turn the switch off, unplug the machine and immediately insert a new bag or remove the clog (to remove a clog, refer to the Clog Removal section on page 12). If the airflow is still restricted, the "BAG FULL OR CLOG" indicator will again display and the machine will shut off.



## WARNING!

The quality, condition, coating, texture, age and manufacturing technique of all floor surfaces vary. Therefore, vacuums with rotating brushes, including your SEBO, may damage some floor coverings or surfaces. Some types of high-gloss hardwood floors, cushion vinyl, berber carpets, long shag, and delicate or hand-woven carpets are particularly vulnerable to damage by rotating brushes. When possible, consult the materials supplied by your flooring manufacturer for information on proper upkeep and cleaning. **To ensure that your new SEBO vacuum cleaner is compatible with your floor, please**

8 **test the vacuum cleaner on each type of flooring surface in a small inconspicuous area to determine if any damage occurs. If damage occurs, stop using the vacuum cleaner immediately!**



# ADDITIONAL OPERATING INSTRUCTIONS FOR POWER HEADS

## Operating with the Power Head - Figures 8, 9 & 10

When the power head is on with the handle in the upright locked position (see figure 8), the brush roller on your power head will not spin.

To release the power head from the upright locked position, press down on the foot pedal (#15, figure 9) and lower the handle into the normal operating position. The brush roller will then start spinning and the green light on the power head will illuminate. The handle can be lowered to a horizontal position useful for vacuuming under beds.

**NOTE:** the brush roller is off and stopped only when the machine is in an upright position and the handle is completely locked in place, or when the hose handle is removed from the side of the vacuum. If you have the machine at an angle, the brush roller will spin. Leaving the machine in a stationary position for an extended period of time while the brush roller is spinning may cause damage to your floor or carpet. You may also switch off the brush roller by pressing the on/off switch (#35, figure 11) on the top of the power head.

You may adjust the suction control with the suction control slider (#3, figure 5) as you vacuum different surfaces or when using the accessory tools. For optimal cleaning and brushing, operate the machine at the maximum suction power setting and push the power head slowly over the carpet.

**Always turn the power switch off when changing heads or unplugging the vacuum.** Slide the power control slider on to its OFF position, then unplug the vacuum when changing heads or storing the vacuum. Make sure the handle is in its upright locked position before letting go of the handle. **NOTE:** When switching off the power switch, always make sure the switch "clicks" into the OFF position before unplugging the power cord.

The use of a power head is recommended for the optimal cleaning of carpets. The rotating of the swivel neck (#20, figure 10) allows the power head to move in any direction.

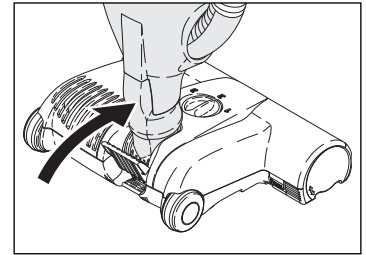


Figure 8

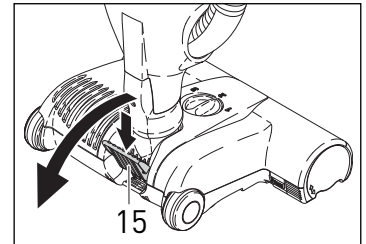


Figure 9

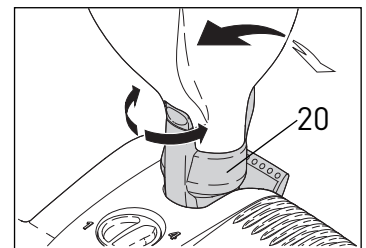


Figure 10

## Brush Obstruction Light & Auto Shut Off - Figure 11

If an obstruction becomes jammed in the brush roller, an amber warning light will quickly flash (34), the brush roller will immediately stop spinning and the vacuum will shut off. The user should turn the power switch off, unplug the machine, and immediately remove the obstruction. If the user restarts the machine without removing the obstruction, the power head will again shut off and the amber light will turn on. This prevents the belt from breaking and protects the motor from damage.

## The Brush Height Adjustment Feature - Figure 11

To manually adjust the brush height, rotate the dial (33) for high carpet (dial setting 4) and progressively lower to bare floor (dial setting 1). The amber light located on top of the power head (34) will illuminate if the height setting is too high (the green light (35) will also be illuminated). Dial down to the next number until the amber light turns off (the green light will stay illuminated). If the amber light does not turn off, the brush roller may be worn. Intermittent flickering is normal.

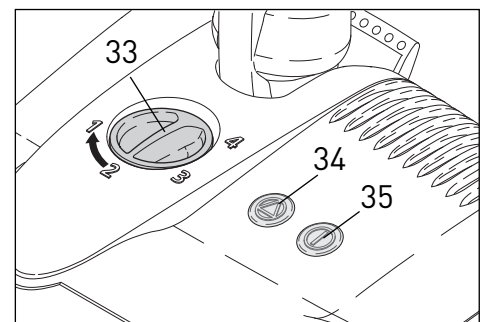


Figure 11

## Indicator Lights - Figure 11

By pushing the foot pedal (figure 9) and lowering the handle, you activate the power head and the brush begins spinning. Failure to use the foot pedal will cause lasting damage to the machine. The electronic brush control constantly monitors the status of the brush, communicating the status through the lights on top.

**Green and Amber Light:** (34 and 35, figure 11) The brush is not fully engaged in the carpet. The height adjustment should be lowered. If the height adjustment is at its lowest setting, the brush is worn and needs to be replaced.

**Green Light Only:** (35, figure 11) Brush is working well. We strongly recommend selecting a brush height that is only one level beneath that at which both the green and amber lights are on. For maximum cleaning performance, the brush height adjustment can be lowered to its lowest setting.

**Amber Light Only:** (34, figure 11) The brush is blocked. Turn off the machine, unplug it, and then remove the blockage.

To clean delicate or hard floor surfaces, the power head is equipped with an on/off switch (# 35, figure 11). When this switch is used to turn off the brush roller, the green indicator light is also turned off.

# POWER HEAD MAINTENANCE



**Always unplug vacuum from outlet before dismantling any part of the machine!**

To remove the power head, switch off the power and unplug the vacuum. Then, press the tool release button (12) and pull the vacuum out of the swivel neck.

## Removing the Brush Roller - Figure 12

To remove the brush roller, press the button marked "PRESS" (36) and turn the brush roller end cap (37) downward. Turn the brush (38) slightly to the right and pull it out. We recommend regular removal of threads and hair which have wound around the brush roller.

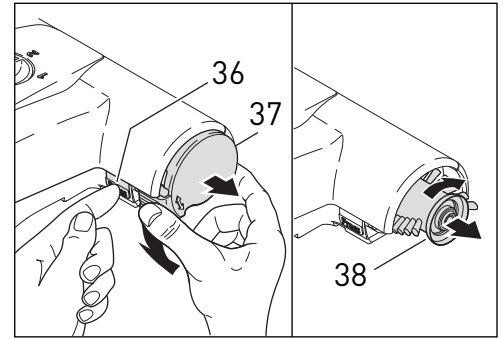
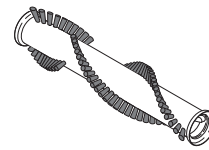


Figure 12

## Cleaning the Brush Roller

**Unplug the vacuum before attempting to clean the brush.**

The brush should be cleaned regularly. Fibers and hair can be pulled out of the brush while manually rotating the roller, or the roller can be removed from the power head to clean it.



12" Brush roller  
Part # 5010AM

15" Brush roller  
Part # 2838AM

# USE AND MAINTENANCE OF FLOOR TOOLS AND BRUSHES



**Always unplug vacuum from outlet before dismantling any part of machine!**

To remove a brush or floor tool, switch off the power and unplug the vacuum. Then, press the tool release button (14) and pull the vacuum out of the neck.

## Premium Parquet Brush - Figure 13

The Premium parquet brush is specially designed for use on hard surfaces. The brush should be cleaned regularly. Remove the parquet brush from the vacuum to clean. Fibers and hair can be pulled out of the bristles manually, or vacuum the bristles using the flexible hose.



Figure 13

## Kombi Nozzle - Figure 14

The Kombi nozzle is adjustable for carpet or hard floors. To set for carpet, slide the up arrow button (39) to the right until it clicks into place. The hard floor dusting brush will raise up allowing the head to move over the carpet. To set for hard floors, slide the down arrow button (40) to the left until it clicks into place. The brush will lower to gently sweep your floors. **The slider in Figure 14 is set in the position for carpet.** The brush should be cleaned regularly. Remove the Kombi nozzle from the vacuum to clean. Fibers and hair can be pulled out of the bristles manually, or vacuum the bristles using the flexible hose.



Figure 14

# VACUUM MAINTENANCE



**Always unplug vacuum from outlet before dismantling any part of machine!**

When the “bag full” indicator (7) displays, airflow is reduced due to a full filter bag, dirty filters, or a clog. If the filter bag is empty and the filters are clean, you may have a clog. Refer to page 12.

## Changing the Filter Bag - Figures 17 & 18

To change the filter bag, set the canister upright, open the filter bag cover (8) by pulling the cover release flap (10) upward (figure 17). Seal the filter bag with the sealing cap (42). Grasp the sealing plate (44) of the filter bag with your thumb and forefinger as shown in figure 18 and lift the filter bag (43) out. Lower a new bag into the holder, making sure that the 4 small tabs (indicated by arrows on the sealing plate) fit into the appropriate grooves. The front tab (45) of the sealing plate will fit loosely over the wire latch lock. Push the filter bag cover (8) down firmly and snap the cover release flap (10) into place. For your convenience, there is a diagram on every filter bag showing the correct placement of the bag. Do not re-use the filter bags. **NOTE:** *The nature of the contents of the filter bag will affect the point at which it needs changing. Fine dust may require an earlier change even though the bag is not full. Fluff or hair allows air to pass through easily, so the filter bag may overflow before the orange “bag full” indicator displays.*



Filter bag  
Part # 7029ER

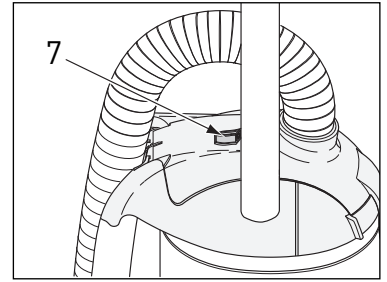


Figure 16

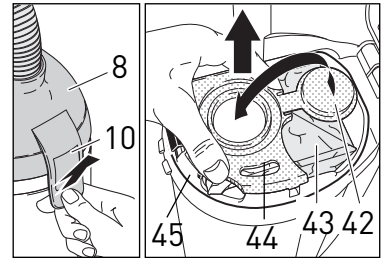


Figure 17

Figure 18

## Changing the Motor Protection/Carbon Filter - Figure 19

After 10 to 20 bags have been used, change the motor protection/carbon filter (46). To remove the filter, set the vacuum upright, pull the cover release flap (10) outward and open the filter bag cover (8). Remove the filter bag (see above). Grasp the handle (47) on the filter and pull it out. To replace, use the handle (47) to hold on to and slide the new filter down into the bottom of the filter bag housing. When correctly seated, it will snap into place. Insert the filter bag, close the filter bag cover.



Motor protection/  
carbon filter  
Part # 7012ER

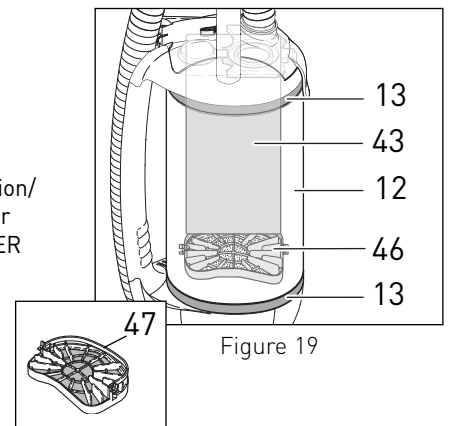


Figure 19

## Changing the Exhaust Filter - Figures 19 & 20

The exhaust filter (12) needs to be changed when it becomes extremely dirty or clogged with dust, or after approximately 15 to 20 filter bags have been used. To remove the exhaust filter, set the vacuum upright, and remove the filter retaining rings (13). To release the filter retaining ring, use your thumb to push the retaining ring clip the direction of the arrow, then pull the clip up. Pull the plastic reinforced fabric strips out of the housing slot (48), and remove the filter. To replace the filter, insert the plastic strip on one end of the filter into the housing slot (48) and hold in place with one hand while wrapping the filter around the machine, pulling it taut. While holding the filter together, insert the top of the plastic strip into the slot. While holding the top of the strip in place, push the rest of the strip firmly into the slot. Replace the retaining rings. **NOTE:** *When reassembling, please ensure that the exhaust filter is fitted correctly in the housing slots and the filter retaining rings are installed correctly. Otherwise, the filter will be ineffective.*



Exhaust filter  
Part #:

7095ER01 - Fun  
7095ER02 - Ice Blue  
7095ER03 - Classic  
7095ER04 - Onyx  
7095ER11 - White  
7095ER12 - Rosso

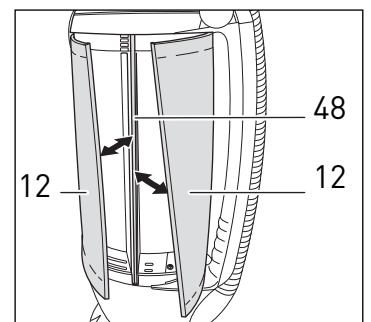


Figure 20

**NOTE:** *Never operate the vacuum with incorrectly attached filters or without filters, filter bag, or filter bag housing cover (8). Do not re-use filter bags. Do not wash and re-use filters.*

# CLOG REMOVAL

 **Always unplug vacuum from outlet before removing any clogs!**

## Clogs in the Hose - Figures 21, 22, 23 & 24

Check for suction at the end of the hose (6) by pulling the hose handle (19) out of the suction opening (18). If you can only feel a small amount of suction, the clog is in the hose. To clear a blockage in the hose, hold the hose handle upright with one hand blocking the top and switch on the machine. Quickly lift your hand on and off the end of the hose. If that does not clear the clog, you may also clear clogs by reversing the hose. To remove the hose from the machine, lift the filter bag cover. Loosen the safety ring (#49, figure 23) located inside the cover by pushing the lever clockwise as shown in figure 23. Remove the hose. Close the filter bag cover and insert the hose handle into the connecting tube (#50, figure 24) of the filter cover. Hold the hose upright with one hand blocking the top and switch on the machine. If necessary, quickly lift your hand on and off the end of the hose. When the clog is cleared, remove the hose handle from the connecting tube. Loosen the safety ring (49) and insert the other end of the hose back into the connecting tube. Release the safety ring so that it secures the hose. Make sure the hose is connected, then close the filter bag cover.

**Note:** Do not insert a wire or stick into the hose. Doing so may cause damage to the hose.

## Clogs in the Swivel Neck - Figure 25

To check for a clog in the swivel neck (20), remove the head by pressing the release button (14). Pull the vacuum out of the swivel neck. Clean out pathway.

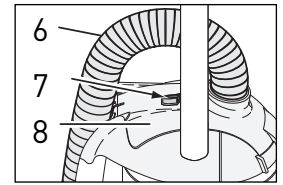


Figure 21

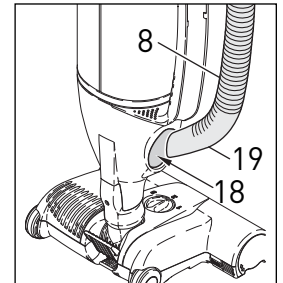


Figure 22

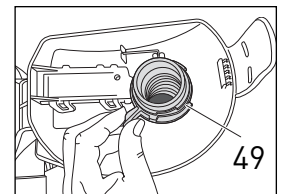


Figure 23

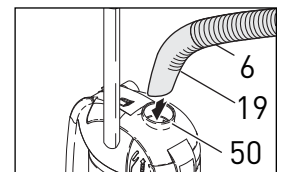


Figure 24

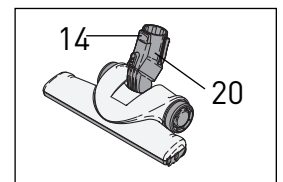


Figure 25

# CLOG REMOVAL IN THE POWER HEAD

## Clogs in the Airflow Pathway - Figure 26

Many clogs can be removed by accessing the airflow pathway via the orange colored access door (51) located on the underside of the power head.

## Clogs in the Swivel Neck - Figures 26 & 27

To check for a clog in the swivel neck (20), remove the head by pressing the release button (14). Push the obstruction down the neck with a stick or long screwdriver and remove it through the orange access door (51).

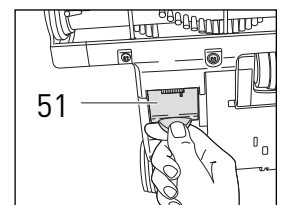


Figure 26

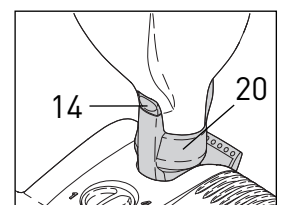


Figure 27

# TROUBLE-SHOOTING GUIDE



**Always unplug vacuum from outlet before dismantling any part of the machine!**

| <b>PROBLEM</b>                              | <b>REASON</b>  | <b>SOLUTION</b>   |
|---|--|---|
| <b>Does not turn on</b>                     | 1. Not plugged into working outlet.                              | 1. Use another outlet.  |
|   | 2. Cord worn, cut or broken.                                     | 2. Replace cord.  |
|   | 3. The power control slider switch is set to the "OFF" position. | 3. Slide slider switch toward the MAX position. See page 8.   |
| <b>Bag full indicator shows</b>             | 1. Bag full.   | 1. Replace filter bag. See page 11.   |
|   | 2. Clog in hose, swivel neck, brush or head                      | 2. See Clog Removal on page 12.   |
| <b>Poor Suction</b>                         | 1. Exhaust filter dirty.   | 1. Replace exhaust filter. See page 11.   |
| <b>Does not pick up</b>                     | 1. Hose handle is not correctly inserted into suction opening.   | 1. Reinsert hose handle firmly into suction opening.  |
|   | 2. Hose is not connected correctly into the connecting tube.     | 2. Check the safety ring. See page 12.  |
|   | 3. The suction control dial is rotated to no suction setting.    | 3. Slide suction control slider to higher suction setting. See page 8.                              |
|   | 4. Filter bag cover not closed.                                  | 4. See below.   |
| <b>Filter bag door won't fully close</b>    | 1. Cover release flap not fully closed.                          | 1. Reinsert bag. Lock the cover release flap (10) down firmly.                                      |
|   | 2. Bag not inserted properly.                                    | 2. Reinsert bag. Lock the cover release flap (10) down firmly.                                      |
|   | 3. Cover latch spring bent.                                      | 3. Straighten cover latch spring.   |
| <b>Filter bag doesn't fit into position</b> | 1. Motor protection filter not properly inserted.                | 1. Remove the filter bag and make sure the motor protection filter is seated correctly See page 11. |

**NOTE: Power head users, please see page 14 for additional trouble shooting guide information.**

# ADDITIONAL TROUBLE-SHOOTING GUIDE FOR POWER HEADS



**Always unplug vacuum from outlet before dismantling any part of the machine!**

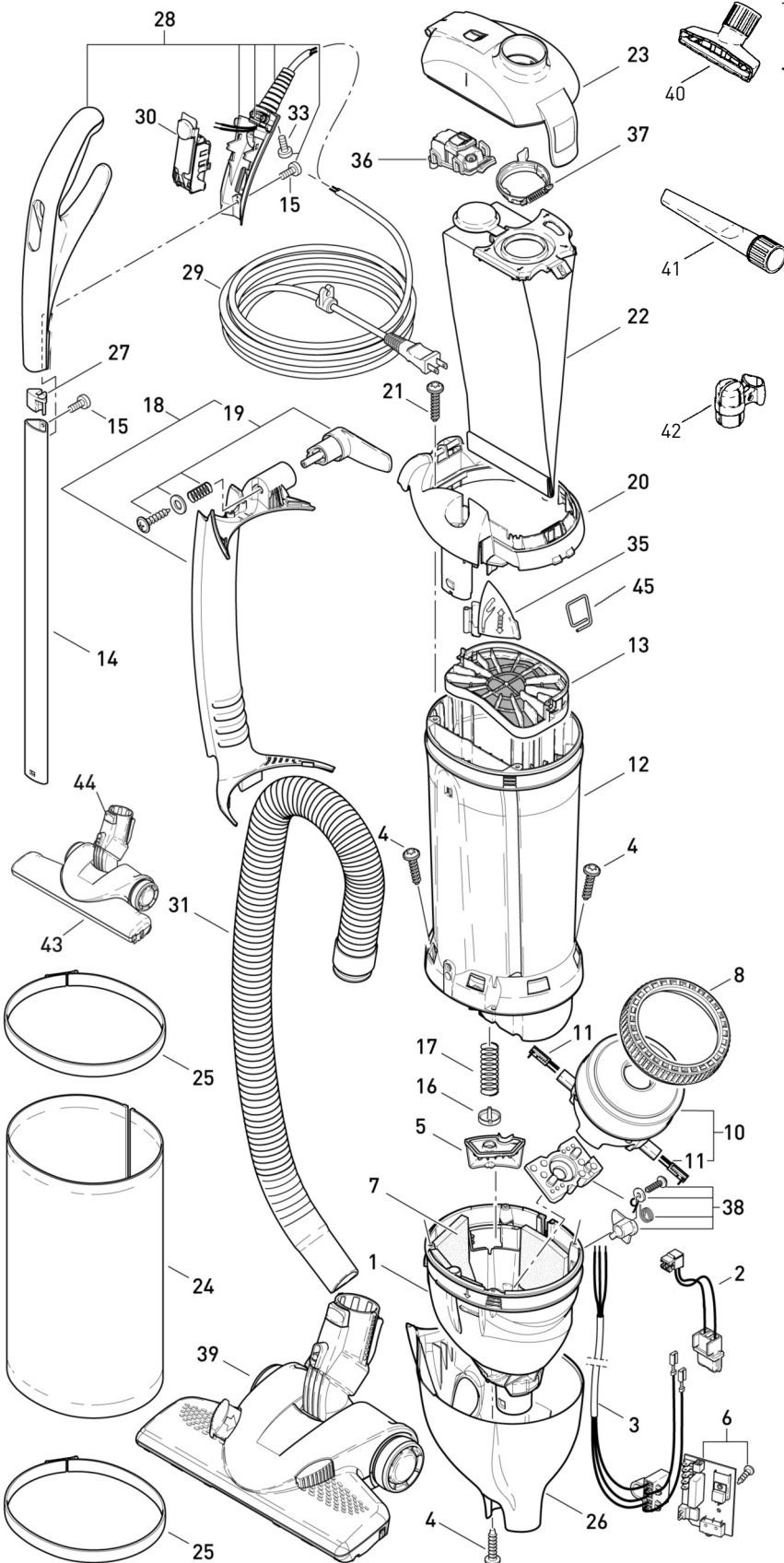
| PROBLEM  | REASON  | SOLUTION   |
|--|---|--|
| <b>Does not turn on</b>                                  | 1. The switch on the power head is off.   | 1. Press the power head brush on/off switch. See page 9.   |
|  | 2. The internal switch in the swivel neck is off because the machine is in the upright locked position. | 2. Release the foot pedal and lower the machine to operating level. See page 9.                                    |
|  | 3. The switch in the air duct housing is not engaged.   | 3. Re-insert the hose handle (19) into the suction opening (18).   |
| <b>Bag full or clog light on &amp; machine shuts off</b> | 1. Clog in hose, swivel neck, brush or head   | 1. See Clog Removal on page 12.  |
| <b>Amber and green lights are both on</b>                | 1. Brush worn.  | 1. Replace brush. See page 10.   |
|  | 2. Reduced brush action.  | 2. Brush is not fully in contact with the floor.   |
|  | 3. Incorrect pile adjustment setting  | 3. Re-position pile adjustment knob  |
| <b>No lights are illuminated</b>                         | 1. Main power switch on handle is in the "off" position.  | 1. Slide power switch to "on" and adjust suction level.  |
|  | 2. The switch on the power head is off.   | 2. Press the power head brush on/off switch. See page 9.   |
|  | 3. The internal switch in the swivel neck is off because the machine is in the upright locked position. | 3. Release the foot pedal and lower the vacuum to operating level. See page 9.                                     |
| <b>Amber light is on &amp; power head shuts off</b>      | 1. Obstruction in brush roller.   | 1. Remove brush roller obstruction. See page 10.   |
|  | 2. Clog in airflow pathway or swivel neck.  | 2. Remove clog. See page 12.   |
|  | 3. Overload shut down from excessively deep but loose carpet pile (e.g., long shag carpet).             | 3. If carpet pile is too deep and loose, then use a "shag rake" attachment instead of the ET-1 or ET-2 power head. |
| <b>Does not pick up</b>                                  | 1. Brush roller has hair or debris wrapped around it.   | 1. Clean brush roller. See page 10.  |



# FELIX PREMIUM / KOMBI

# Bag Housing with Handle

- #9806AM FELIX PREMIUM Ice Blue (White/Blue) - 12 inch
- #9803AM FELIX PREMIUM Fun (Orange/Purple) - 12 inch
- #9804AM FELIX PREMIUM Classic (Ivory/Plaid) - 12 inch
- #9807AM FELIX PREMIUM Onyx (Black/Silver) - 12 inch
- #9808AM FELIX PREMIUM White (White) - 12 inch
- #9809AM FELIX PREMIUM Rosso (Red) - 12 inch
- #9813AM FELIX PREMIUM Ice Blue (White Blue) - 15 inch
- #9824AM FELIX KOMBI Ice Blue (White/Blue)
- #9825AM FELIX KOMBI Fun (Orange/Purple)
- #9826AM FELIX KOMBI Classic (Ivory/Plaid)



## 9806AM, 9813AM, 9824AM Ice Blue (White/Blue) Machines

| Pos. | Part #   | Description                             |
|------|----------|---|
| 1    | 7078GS   | Air duct                                |
| 2    | 7064     | Internal wiring harness ET              |
| 3    | 7071     | Internal cable                          |
| 4    | 01016    | Screw STS 4x16 - T20                    |
| 5    | 7056GS   | Valve cover                             |
| 6    | 7111ER   | Printed circuit board 120V              |
| 7    | 7098     | Sound insulation                        |
| 8    | 1047     | VAC motor seal                          |
| 9    | 7009     | Rubber mounting                         |
| 10   | 7041ER   | VAC motor 120V                          |
| 11   | 05140S   | Carbon brush set                        |
| 12   | 7143ER   | Dust bag housing                        |
| 13   | 7012ER   | Motor Protection filter                 |
| 14   | 7081ER   | Handle tube                             |
| 15   | 0127     | Screw M 4x10K                           |
| 16   | 7025     | Valve disc                              |
| 17   | 7028ER   | Valve spring set (old & new)            |
| 18   | 7090GS   | Hose duct                               |
| 19   | 7027GS   | Cable hook                              |
| 20   | 7093WE   | Cover, dust bag housing w/35&45 - white |
| 21   | 01017    | Screw STS 4x20 - T20                    |
| 22   | 7029ER   | Dust bag                                |
| 23   | 7091WE   | Filter cover - white                    |
| 24   | 7095ER02 | Exhaust filter                          |
| 25   | 7017GS   | Exhaust filter clamp - gray black       |
| 26   | 7159WESE | Lower housing - white                   |
| 27   | 7145GS   | Tube plug                               |
| 28   | 7164WE   | Handle complete w/15, 32-34             |
| 29   | 7127DG   | Cable                                   |
| 30   | 7038WE   | Switch assembly, cpl.                   |
| 31   | 7050SB   | Hose cpl.                               |
| 33   | 0103     | Screw C3.9x16                           |
| 35   | 7082WE   | Handle release lever, cpl               |
| 36   | 7094ER   | Filter Indicator, cpl.                  |
| 37   | 7018OR   | Retaining ring w/spring                 |
| 38   | 7032ER   | Switch lever, cpl.                      |
| 39   | 7260GS   | Kombi nozzle (incl. w/KOMBI)            |
|      | 7248ER   | Brush strip w/cap for KOMBI             |
| 40   | 1491GS   | Upholstery nozzle - gray black          |
| 41   | 1092GS   | Crevice nozzle - gray black             |
| 42   | 7097WE   | Double attachment clip - white          |
| 43   | 7200GS   | Premium Parquet Brush (incl. w/PREMIUM) |
| 44   | 7207ER   | Brush Strip Set (2 pcs. for 7200)       |
| 44   | 7212GS   | Button cover for 7200                   |
| 45   | 7024ER   | Cover latch spring                      |

## 9803AM & 9825AM Fun (Orange/Purple) Machine Exceptions

|    |          |  |
|----|----------|--|
| 20 | 7093VO   | Cover, dust bag housing w/35&45 - orange |
| 23 | 7091VO   | Filter cover - orange                    |
| 24 | 7095ER01 | Exhaust filter                           |
| 26 | 7170SE   | Lower housing                            |
| 28 | 7164GSVO | Handle complete w/15, 32-34              |
| 30 | 70038VO  | Switch assembly, cpl.                    |
| 35 | 7082VO   | Handle release lever, cpl                |
| 39 | 7240VO   | Kombi nozzle (incl. w/KOMBI)             |
| 42 | 7097VO   | Double attachment clip - orange          |
| 43 | 7200VO   | Premium Parquet Brush (incl. w/PREMIUM)  |

## 9807AM Onyx (Black/Silver) Machine Exceptions

|    |          |   |
|----|----------|---|
| 18 | 7090SW   | Hose duct                               |
| 19 | 7027SW   | Cable hook                              |
| 20 | 7093SW   | Cover, dust bag housing w/35&45 - black |
| 23 | 7091SW   | Filter cover - black                    |
| 24 | 7095ER04 | Exhaust filter                          |
| 25 | 7017SB   | Exhaust filter clamp - silver           |
| 26 | 7173SE   | Lower housing                           |
| 28 | 7164GSSW | Handle complete w/15, 32-34             |
| 30 | 7038SW   | Switch assembly, cpl.                   |
| 35 | 7082SW   | Handle release lever, cpl               |
| 40 | 1491SW   | Upholstery nozzle - black               |
| 41 | 1092SW   | Crevice nozzle - black                  |
| 42 | 7097SW   | Double attachment clip - black          |

## 9808AM White (White) Machine Exceptions

|    |          |                                   |
|----|----------|-----------------------------------|
| 18 | 7090WE   | Hose duct                         |
| 19 | 7027WE   | Cable hook                        |
| 24 | 7095ER11 | Exhaust filter                    |
| 25 | 7017HG   | Exhaust filter clamp - light gray |
| 40 | 1491JE   | Upholstery nozzle - light gray    |
| 41 | 1092JE   | Crevice nozzle - light gray       |

## 9809AM Rosso (Red) Machine Exceptions

|    |          |                                       |
|----|----------|---------------------------------------|
| 18 | 7090DR   | Hose duct                             |
| 19 | 7027DR   | Cable hook                            |
| 20 | 7093DR   | Cover, dust bag housing w/35&45 - red |
| 23 | 7091DR   | Filter cover - red                    |
| 24 | 7095ER12 | Exhaust filter                        |
| 25 | 7017SB   | Exhaust filter clamp - silver         |
| 26 | 7186SE   | Lower housing                         |
| 28 | 7164GSDR | Handle complete w/15, 32-34           |
| 30 | 7038DR   | Switch assembly, cpl.                 |
| 35 | 7082DR   | Handle release lever, cpl             |
| 42 | 7097GS   | Double attachment clip - gray black   |

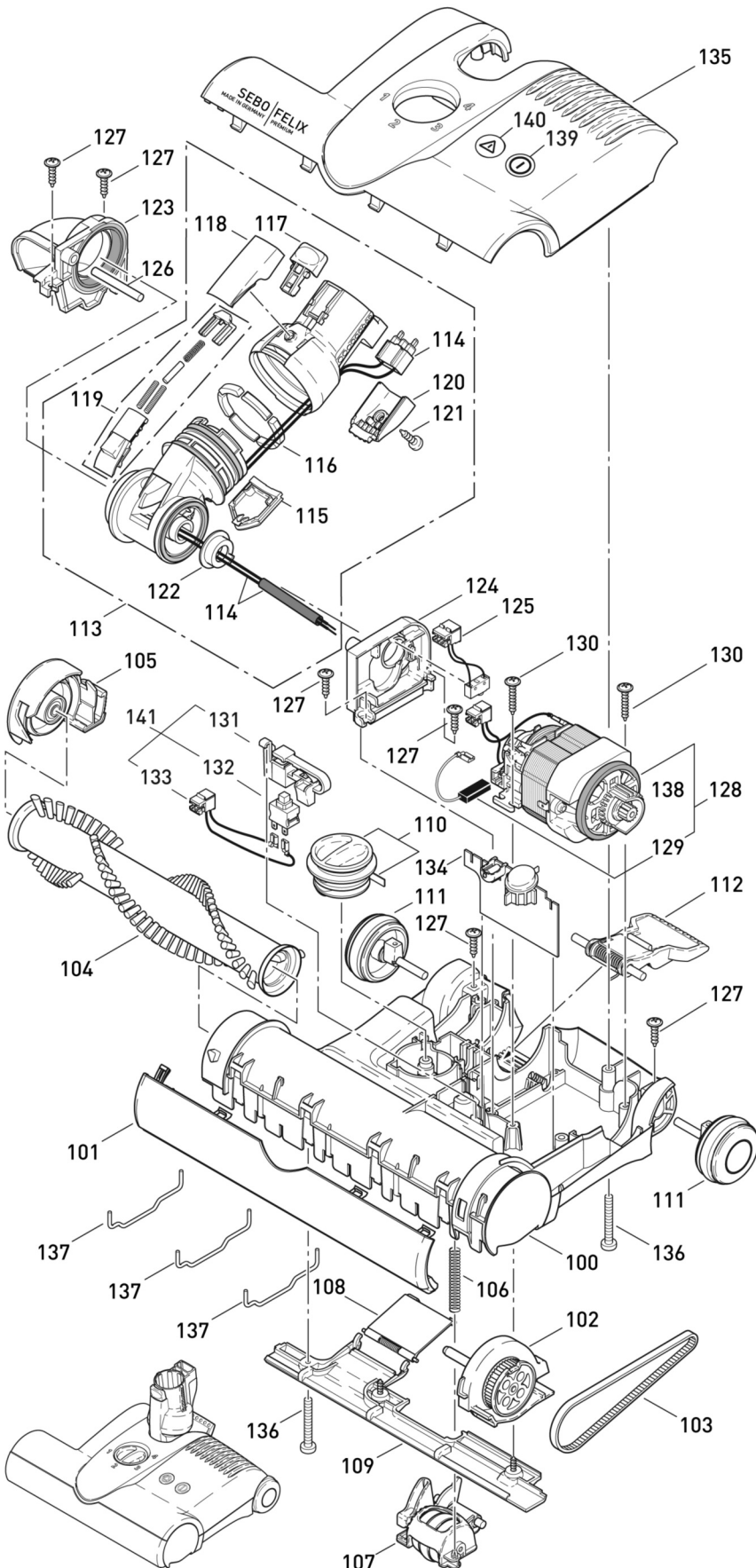
## 9804AM & 9826AM Classic (Ivory/Plaid) Machine Exceptions

|    |          |   |
|----|----------|---|
| 18 | 7090SR   | Hose duct                               |
| 19 | 7027SR   | Cable hook                              |
| 20 | 7093HE   | Cover, dust bag housing w/35&45 - ivory |
| 23 | 7091HE   | Filter cover - ivory                    |
| 24 | 7095ER03 | Exhaust filter                          |
| 25 | 7017SR   | Exhaust filter clamp - burgundy         |
| 26 | 7168SE   | Lower housing                           |
| 28 | 7164HE   | Handle complete w/15, 32-34             |
| 29 | 7127SR   | Cable                                   |
| 30 | 7038HE   | Switch assembly, cpl.                   |
| 31 | 7050HE   | Hose cpl. - ivory                       |
| 34 | 1035SR   | Cable grommet                           |
| 35 | 7082HE   | Handle release lever, cpl               |
| 39 | 7240SR   | Kombi nozzle (incl. w/KOMBI)            |
| 40 | 1491HE   | Upholstery nozzle - ivory               |
| 41 | 1092HE   | Crevice nozzle - ivory                  |
| 42 | 7097SR   | Double attachment clip - burgundy       |
| 43 | 7200SR   | Premium Parquet Brush (incl. w/PREMIUM) |

# FELIX PREMIUM

# Power Head - 12 inch (ET-1)

- #9806AM FELIX PREMIUM Ice Blue (White/Blue) - 12 inch
- #9803AM FELIX PREMIUM Fun (Orange/Purple) - 12 inch
- #9804AM FELIX PREMIUM Classic (Ivory/Plaid) - 12 inch
- #9807AM FELIX PREMIUM Onyx (Black/Silver) - 12 inch
- #9808AM FELIX PREMIUM White (White) - 12 inch
- #9809AM FELIX PREMIUM Rosso (Red) - 12 inch



## 9806AM Ice Blue (White/Blue) Machines

| Pos. | Part #   | Description                      |
|------|----------|----------------------------------|
| 100  | 2324GS   | Chassis ET-1                     |
| 101  | 2302GS   | Bumper, cpl.                     |
| 102  | 2314GS   | Bearing block, left cpl.         |
| 103  | 2923     | Belt 333 3M HTDII-6              |
| 104  | 5010AM   | Brush roller, cpl.               |
| 105  | 2313GS   | Bearing block, right cpl.        |
| 106  | 2929     | Spring                           |
| 107  | 2316GS   | Pile adjustment assembly, cpl.   |
| 108  | 2909VO   | Access door w/axle & spring      |
| 109  | 2304GS   | Rear bottom plate, cpl.          |
| 110  | 2931GS   | Pile adjustment button           |
| 111  | 2306GS   | Wheel, cpl.                      |
| 112  | 2937OR   | Foot pedal w/axle & spring       |
| 113  | 2307GS   | Swivel neck assembly, cpl.       |
| 114  | 0876ER   | Wiring swivel neck               |
| 115  | 2947GS   | Cover, TS-neck                   |
| 116  | 2950ER   | Segments, TS-neck                |
| 117  | 1737GS   | Release button w/leaf spring     |
| 118  | 2952GS   | Button cover, TS-neck            |
| 119  | 2945GS   | Swivel neck slide                |
| 120  | 2951GS   | Socket cover, TS-neck            |
| 121  | 01027    | Screw F 3.9x9.5                  |
| 122  | 2954     | Swivel neck bearing              |
| 123  | 2311     | Swivel neck support, right       |
| 124  | 2312     | Swivel neck support, left        |
| 125  | 0880     | Wiring swivel neck switch        |
| 126  | 2928     | Axle                             |
| 127  | 01021    | Screw F 3.9x13                   |
| 128  | 2973ER   | Brush motor 120V, 175W w/ pulley |
| 129  | 05141S   | Carbon brush set                 |
| 130  | 01020    | Screw F 3.9x21                   |
| 131  | 2958ER   | Lever w/leaf spring              |
| 132  | 05114    | Switch 2 - pole                  |
| 133  | 0881     | Wire                             |
| 134  | 2983ER   | Printed circuit board - 175W     |
| 135  | 2331WESE | Power head cover                 |
| 136  | 0176TL   | Screw AM 4x30                    |
| 137  | 5402     | Wire tie                         |
| 138  | 2319     | Motor pulley                     |
| 139  | 2957     | On/Off button/lens               |
| 140  | 2956     | Brush light lens                 |
| 141  | 2959ER   | Switch cpl (131-133)             |

## 9803AM Fun (Orange/Purple) Machine Exceptions

- 135 2333VOSE Power head cover

## 9804AM Classic (Ivory/Plaid) Machine Exceptions

|     |          |                              |
|-----|----------|------------------------------|
| 100 | 2324SR   | Chassis ET-1                 |
| 101 | 2302SR   | Bumper, cpl.                 |
| 105 | 2313SR   | Bearing block, right cpl.    |
| 110 | 2931SR   | Pile adjustment button       |
| 111 | 2306SR   | Wheel, cpl.                  |
| 113 | 2307SR   | Swivel neck assembly, cpl.   |
| 115 | 2947SR   | Cover, TS-neck               |
| 117 | 1737SR   | Release button w/leaf spring |
| 118 | 2952SR   | Button cover, TS-neck        |
| 119 | 2945SR   | Swivel neck slide            |
| 120 | 2951SR   | Socket cover, TS-neck        |
| 135 | 2332HESE | Power head cover             |

## 9807AM Onyx (Black/Silver) Machine Exceptions

- 110 2931SB Pile adjustment button
- 135 2360SWSE Power head cover

## 9808AM White (White) Machine Exceptions

|     |        |                                |
|-----|--------|--------------------------------|
| 100 | 2324HG | Chassis ET-1, light gray       |
| 101 | 2302HG | Bumper, cpl.                   |
| 102 | 2314HG | Bearing block, left cpl.       |
| 105 | 2313HG | Bearing block, right cpl.      |
| 107 | 2316HG | Pile adjustment assembly, cpl. |
| 109 | 2304HG | Rear bottom plate, cpl.        |
| 110 | 2931HG | Pile adjustment button         |
| 111 | 2306HG | Wheel, cpl.                    |
| 113 | 2307HG | Swivel neck assembly, cpl.     |
| 115 | 2947HG | Cover, TS-neck                 |
| 117 | 1737HG | Release button w/leaf spring   |
| 118 | 2952HG | Button cover, TS-neck          |
| 119 | 2945HG | Swivel neck slide              |
| 120 | 2951HG | Socket cover, TS-neck          |

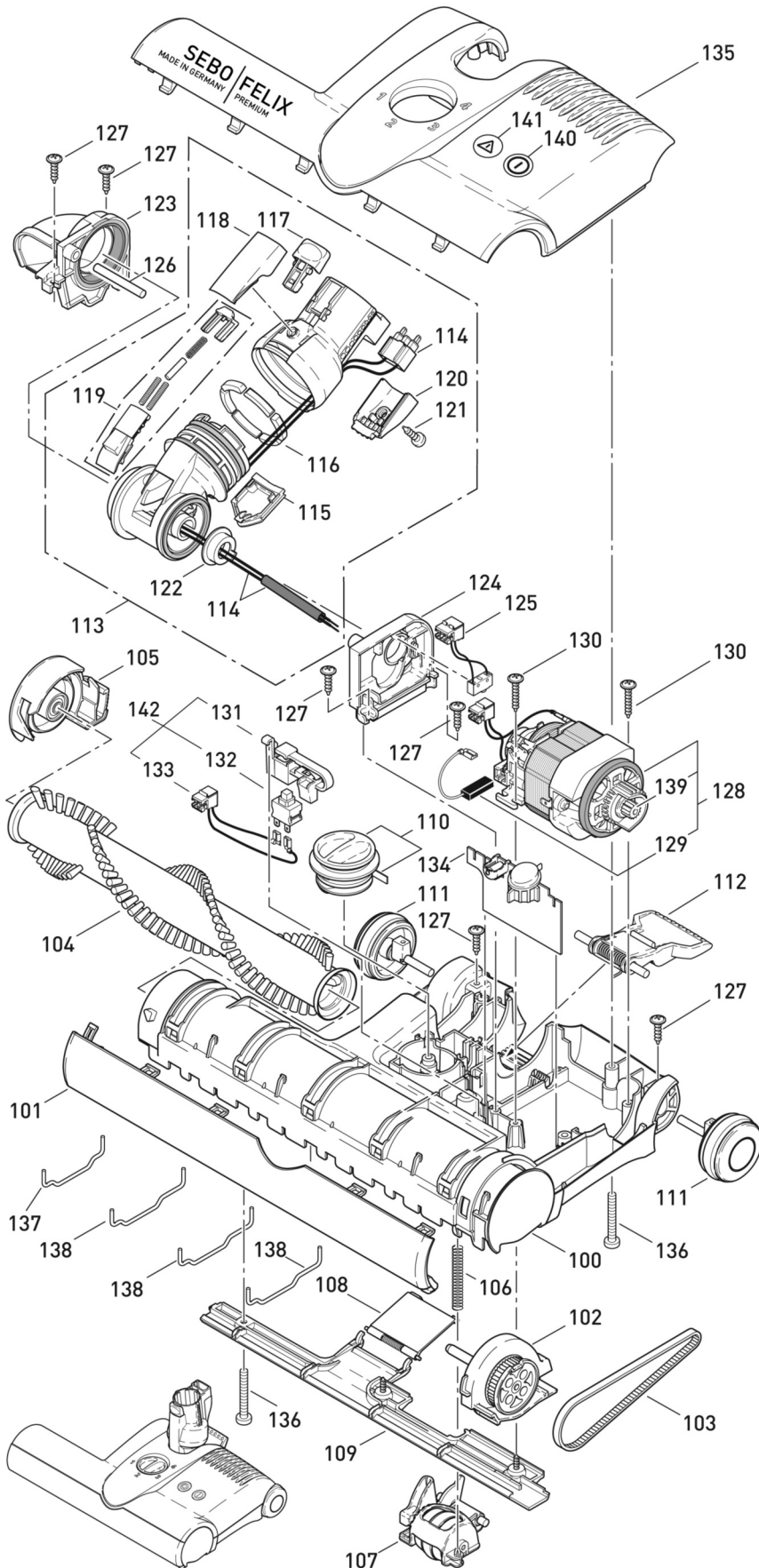
## 9809AM Rosso (Red) Machine Exceptions

- 110 2931SB Pile adjustment button
- 135 2330DRSE Power head cover - red

# FELIX PREMIUM - ICE BLUE

# Power Head - 15 inch (ET-2)

#9813AM FELIX PREMIUM Ice Blue (White Blue) - 15 inch



## 9813AM Ice Blue (White/Blue) Machine

| Pos. | Part #   | Description                     |
|------|----------|---------------------------------|
| 100  | 2325GS   | Chassis ET-2                    |
| 101  | 2303GS   | Bumper, cpl.                    |
| 102  | 2314GS   | Bearing block, left cpl.        |
| 103  | 2923     | Belt 333 3M HTDII-6             |
| 104  | 2838AM   | Brush roller, cpl.              |
| 105  | 2313GS   | Bearing block, right cpl.       |
| 106  | 2929     | Spring                          |
| 107  | 2316GS   | Pile adjustment assembly, cpl.  |
| 108  | 2909V0   | Access door w/axle & spring     |
| 109  | 2305GS   | Rear bottom plate, cpl.         |
| 110  | 2931GS   | Pile adjustment button          |
| 111  | 2306GS   | Wheel, cpl.                     |
| 112  | 2937OR   | Foot pedal w/axle & spring      |
| 113  | 2307GS   | Swivel neck assembly, cpl.      |
| 114  | 0876ER   | Wiring swivel neck              |
| 115  | 2947GS   | Cover, TS-neck                  |
| 116  | 2950ER   | Segments, TS-neck               |
| 117  | 1737GS   | Release button w/leaf spring    |
| 118  | 2952GS   | Button cover, TS-neck           |
| 119  | 2945GS   | Swivel neck slide               |
| 120  | 2951GS   | Socket cover, TS-neck           |
| 121  | 01027    | Screw F 3.9x9.5                 |
| 122  | 2954     | Swivel neck bearing             |
| 123  | 2311     | Swivel neck support, right      |
| 124  | 2312     | Swivel neck support, left       |
| 125  | 0880     | Wiring swivel neck switch       |
| 126  | 2928     | Axle                            |
| 127  | 01021    | Screw F 3.9x13                  |
| 128  | 2974ER   | Brush motor 120V, 200W w/pulley |
| 129  | 05141S   | Carbon brush set                |
| 130  | 01020    | Screw F 3.9x21                  |
| 131  | 2958ER   | Lever w/leaf spring             |
| 132  | 05114    | Switch 2 - pole                 |
| 133  | 0881     | Wire                            |
| 134  | 2984ER   | Printed circuit board - 200W    |
| 135  | 2341WESE | Power head cover                |
| 136  | 0176TL   | Screw AM 4x30                   |
| 137  | 5401     | Wire tire                       |
| 138  | 5402     | Wire tire                       |
| 139  | 2319     | Motor pulley                    |
| 140  | 2957     | On/off button/lens              |
| 141  | 2956     | Brush light lens                |
| 142  | 2959ER   | Switch (131-133)                |