

SEBO AUTOMATIC X4 & X5

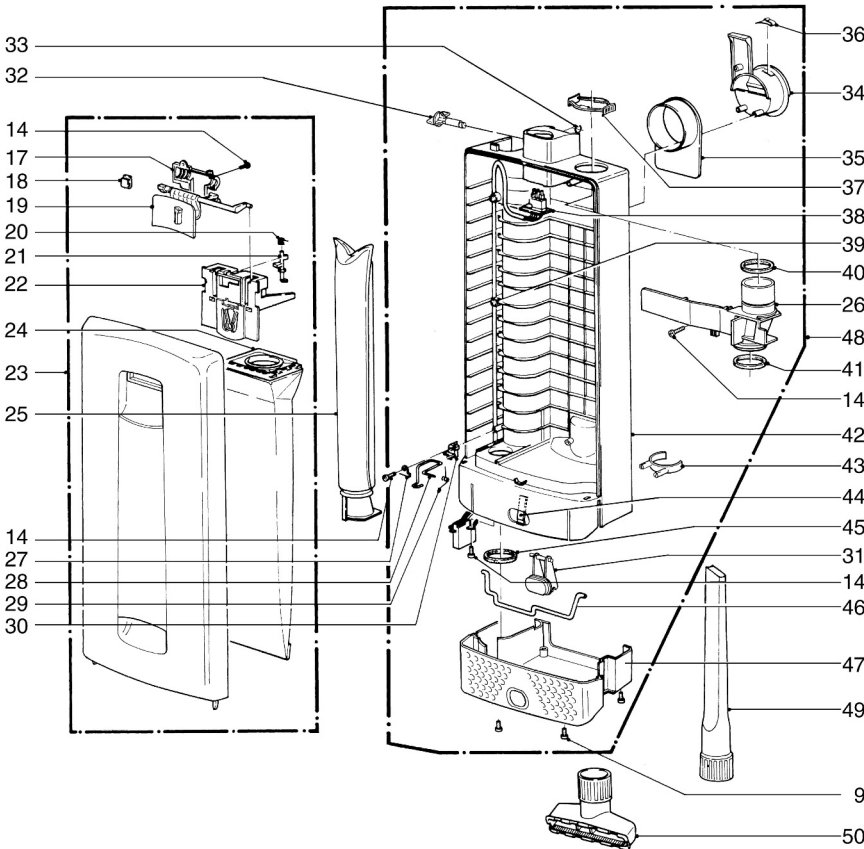
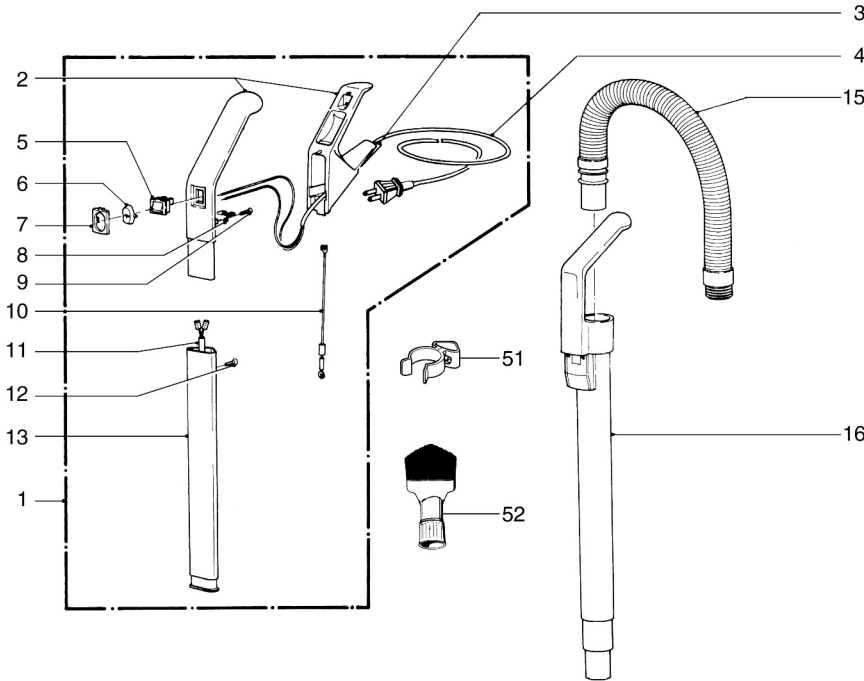
Bag Housing with Handle

- #9501AM X4 - Onyx/Silver
- #9558AM X4 - Red/Gray
- #9570AM X4 - White/Gray
- #9574AM X4 - Spring Green

- #9577AM X4 - Blue/Yellow
- #9580AM X5 - White/Gray
- #9587AM X5 - Blue/Yellow

#9570AM X4 and #9580AM X5 White/Gray Machine

Pos.	Part #	Description
1	5634AM	Handle complete - dark gray/lt, gray (incl. pos. 2 - 13)
2	5297SE	Handle grip (incl. pos. 3, 7 + 10)
3	5359DG	Grommet
4	5450DG	Power supply cord
5	05112	Switch
6	5160HG	Switch cap - light gray
7	5161DG	Switch cap holder
8	5162	Cable clamp
9	0103	Screw C 3.9x16 DIN 7981
10	5253UL	Wire-antistatic
11	5298ER	Handle cable
12	0129	Screw M 4x12 DIN 966
13	5187	Handle tube
14	0102	Screw F 3.9x13 DIN 7981
15	5040SB	Hose - silver, cpl.
16	5045DG	Extension tube
17	5707GW	Cover - white
18	5319	Bag holder Spring
19	5706DG	Cover release - dark gray
20	5091	Safety catch spring
21	5360	Safety catch
22	5324	Bag holder cpl. (incl. pos. 20 + 21)
23	5750SE	Front cover complete - white/dark gray
	5454	Front cover seal
24	5093AM	Dust bag pack
25	5036AM	Micro hygiene filter
26	5380DG	Internal cover complete (incl. pos. 40 + 41)
27	1073	Clamp
28	5208	Filter safety catch
29	5210	Return spring
30	5164	Cable clamp
31	5722DG	Dust bag housing locking catch - dark gray
32	1859DG	Handle catch - dark gray
33	0161	Clip 4, DIN 6799
34	5721GW	Carrying handle - white
35	5703GW	Cable hook - white
36	5146	Stop spring
37	5424DG	Retaining ring
38	5299ER	Internal cable
39	5266	Cable clamp
40	5842	Seal
41	5289	Seal
42	5764GW	Dust bag housing - white (no bumper)
43	1823DG	Attachment clip - dark gray
44	5084	Spring for locking rod
45	5163	Seal
46	5083	Locking rod
47	5702GW	Dust bag housing bumper base - white
48	5755GW	Dust bag housing, cpl. - white/dark gray (incl. pos. 9, 14 + 26 - 47)
49	1092DG	Crevice nozzle
50	1491DG	Upholstery nozzle
51	5460DG	Mounting clip with screw
52	1387DG	Dusting brush



Bag Housing with Handle

X4 & X5 Machine Exceptions

#9501AM X4 Onyx/Silver Machine Exceptions

Pos.	Part #	Description
1	5640AM	Handle complete - black/silver (incl. pos. 2 - 13)
2	5295SW	Handle grip (incl. pos. 3, 7 + 10)
3	5359	Grommet
6	5160SB	Switch cap - silver
7	5161SW	Switch cap holder -black
15	5040SW	Hose - black
16	5045SW	Extension tube - black
17	5707SW	Cover - black
19	5706SB	Cover release - silver
23	5774SE	Front cover complete - black/silver
26	5380SW	Internal cover (incl. pos. 40 + 41)
31	5722SB	Dust bag housing locking catch - silver
32	1859SB	Handle catch - silver
34	5721SW	Carrying handle - black
35	5703SW	Cable hook - black
37	5424AM	Retaining ring
42	5764SW	Dust bag housing - black (incl. pos. 14, 26, 32, 33, 37 + 40 - 45)
43	1823SW	Attachment clip - black
47	5702SW	Dust bag housing bumper base - black
48	5763SW	Dust bag housing complete - black (pos. 9, 14, + 26 - 47)
49	1092SW	Crevice nozzle - black
50	1491SW	Upholstery nozzle - black

#9558AM X4 Red/Gray Machine Exceptions

Pos.	Part #	Description
1	5638AM	Handle complete - dark gray/red
6	5160DR	Switch cap - red
17	5707DR	Cover - red
23	5751SE	Front cover complete - red/dark gray
35	5768DR	Cable hook (incl. position 34 carrying handle) - red
42	5764DR	Dust bag housing (no bumper) - red/dark gray
47	5702DG	Dust bag housing bumper - dark gray
48	5759DR	Dust bag housing complete - red/dark gray

#9574AM X4 Spring Green Machine Exceptions

Pos.	Part #	Description
1	5637AM	Handle complete - spring green (pos. 2 - 13)
6	5160FG	Switch cap - spring green
17	5707FG	Cover - spring green
23	5754SE	Front cover complete - spring green/dark gray
34	5721FG	Carrying handle - spring green
35	5703FG	Cable hook - spring green
42	5764FG	Dust bag housing (no bumper) - spring green
47	5702DG	Dust bag housing bumper base
48	5759FG	Dust bag housing cpl. (spring green) (incl. pos. 9, 14 + 26 - 47)

#9577AM X4 and #9587AM X5 Blue/Yellow Machine Exceptions

Pos.	Part #	Description
1	5636AM	Handle complete - dark gray/yellow
6	5160SG	Switch cap - yellow
17	5707DB	Cover - dark blue
19	5706SG	Cover release - yellow
23	5749SE	Front cover complete - dark blue/yellow
31	5722SG	Dust bag housing locking catch - yellow
32	1859SG	Handle catch - yellow
34	5721DB	Carrying handle - dark blue
35	5703DB	Cable hook - dark blue
42	5764DB	Dust bag housing (no bumper)- dark blue/yellow
47	5702DB	Dust bag housing bumper base - dark blue
48	5763DB	Dust bag housing complete - dark blue/yellow

Power Head

X4 Machine Exceptions

#9501AM X4 Onyx/Silver Machine Exceptions

Pos.	Part #	Description
100	5783AM	Power head cover complete (incl. pos. 101 - 103 + 164) - onyx/silver
101	5712DG	Exhaust filter catch - dark gray
103	5711SW	Exhaust filter cover - onyx
114	5713SW	Brush roller release - onyx
122	5031DG	Bearing block right hand
164	5730SB	Display - silver

#9558AM X4 Red/Gray Machine Exceptions

Pos.	Part #	Description
100	5778AM2	Power head cover complete (incl. pos. 101 - 103 + 164) - red/dark gray
101	5712DG	Exhaust filter catch - dark gray
103	5711DR	Exhaust filter cover - red
114	5713DG	Brush roller release
122	5031DR	Bearing block right hand - red/dark gray

#9574AM X4 Spring Green Machine Exceptions

Pos.	Part #	Description
100	5779SE	Power head cover complete (incl. pos. 101 - 103 + 164) - spring green/dark gray
101	5712DG	Exhaust filter catch
103	5711FG	Exhaust filter cover - spring green
114	5713DG	Brush roller release
122	5031FG	Bearing block right hand - spring green/dark gray

#9577AM X4 Blue/Yellow Machine Exceptions

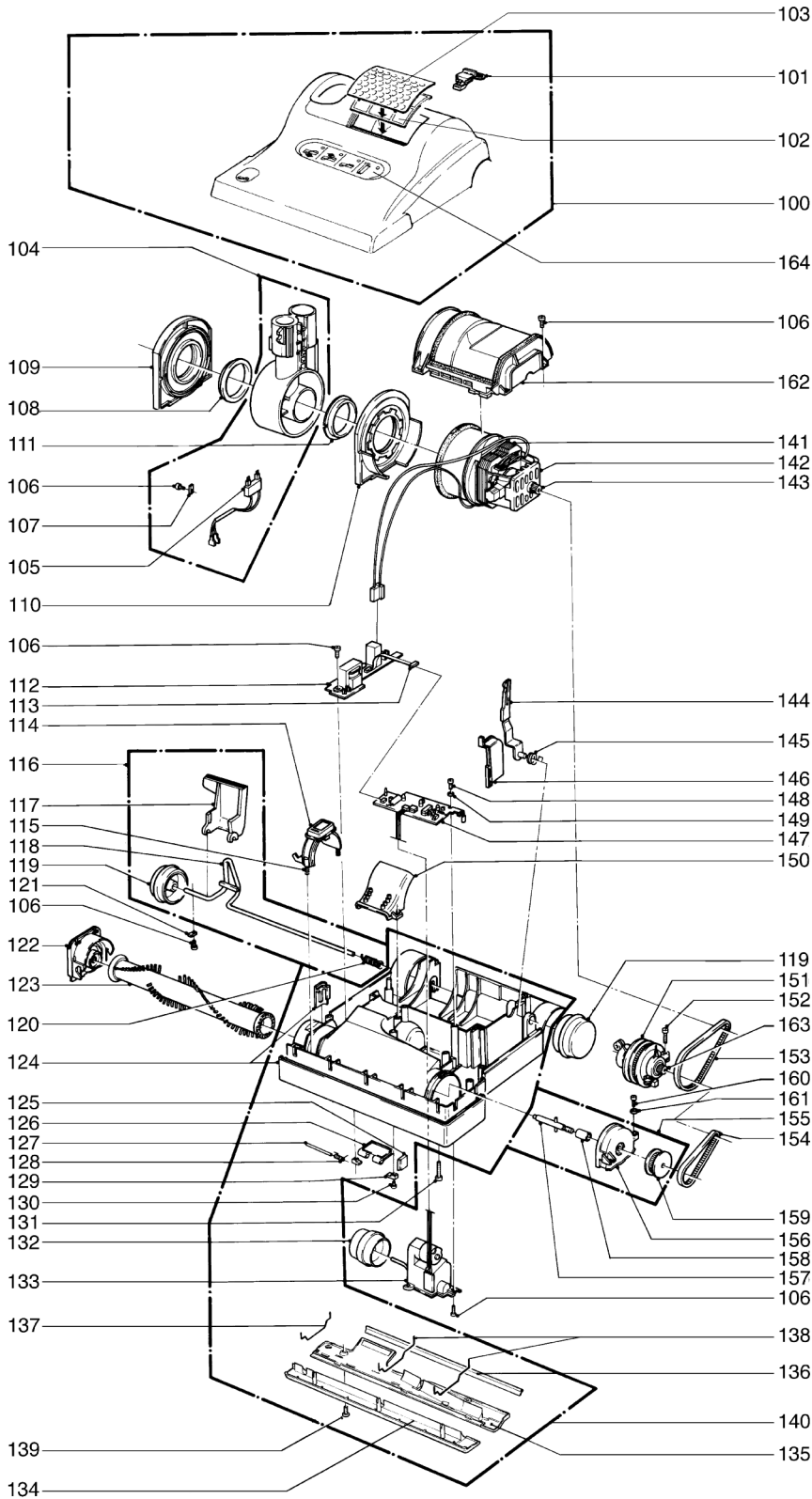
Pos.	Part #	Description
100	5786AM	Power head cover complete (incl. pos. 101 - 103 + 164) - dark blue/yellow
101	5712DB	Exhaust filter catch - dark blue
103	5711DB	Exhaust filter cover - dark blue
114	5713DB	Brush roller release - dark blue
122	5031DB	Bearing block right hand - dark blue/dark gray
164	5730SG	Display - yellow

SEBO AUTOMATIC X4

Power Head

- #9501AM X4 - Onyx/Silver
- #9558AM X4 - Red/Gray
- #9570AM X4 - White/Gray
- #9574AM X4 - Spring Green

- #9577AM X4 - Blue/Yellow
- #9580AM X5 - White/Gray
- #9587AM X5 - Blue/Yellow



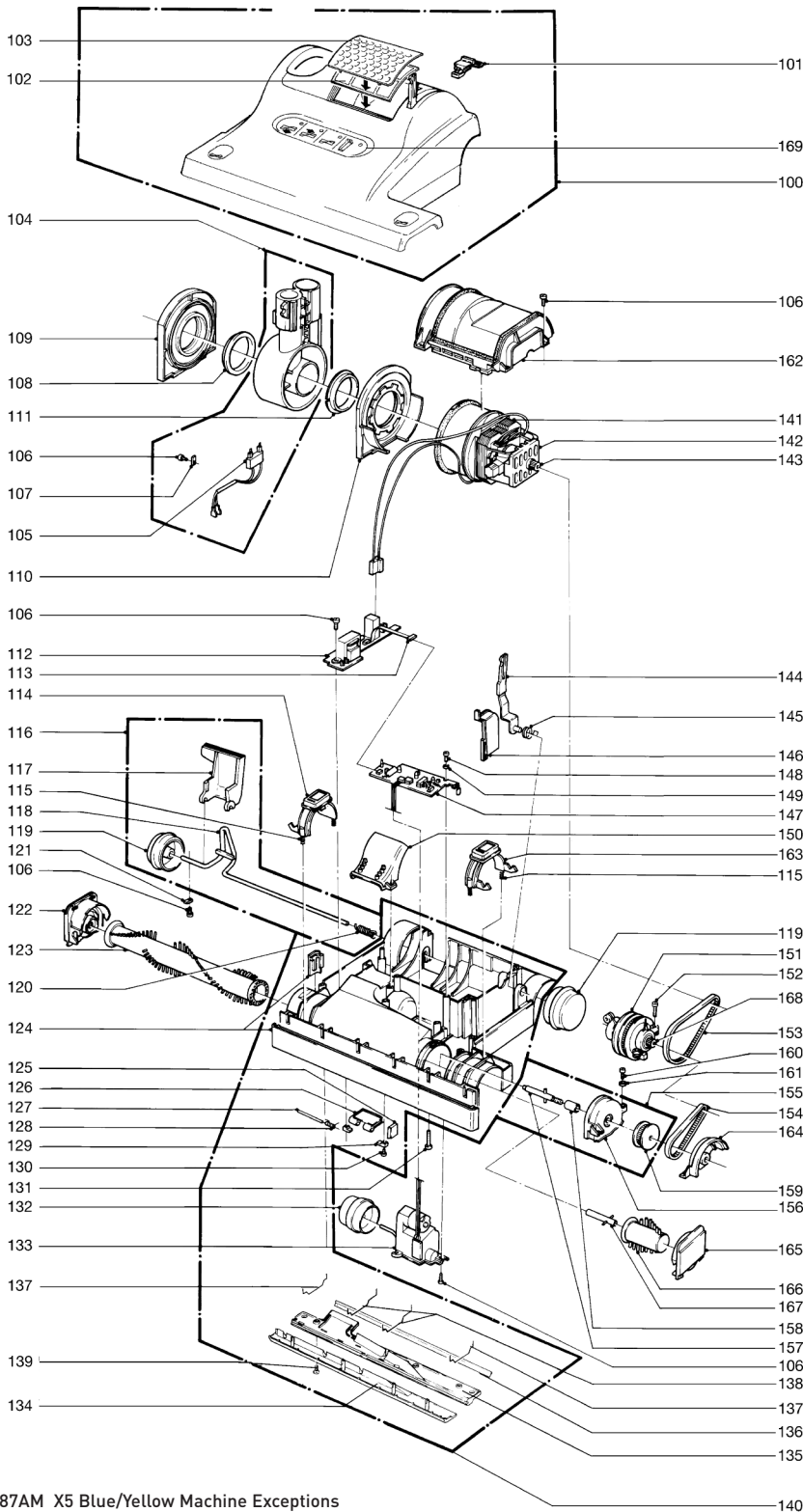
#9570AM X4 White/Gray Machine

Pos.	Part #	Description
100	5780AM	Power head cover, complete - white/dark gray
101	5712GW	Exhaust filter catch - white
102	5143	Exhaust filter
103	5711GW	Exhaust filter cover - white
104	5729UL	Swivel neck assembly
105	5176UL	Male contact holder
106	0102	Screw F 3.9 x 13 DIN 7981
107	2494	Cable clamp
108	5101	Swivel neck bearing r. h.
109	5178	Swivel neck support r. h. (2 Screws)
	5480	Swivel neck support r. h. (1 Screw)
110	5728	Swivel neck support l. h. (2 Screws)
	5479	Swivel neck support l. h. (1 Screw)
111	5717	Swivel neck bearing l. h.
112	5203ER	PCB 12 V power supply
113	5205	Ribbon cable
114	5713GW	Brush roller release - white
115	5103	Spring
116	5051DG	Axle, assembly
117	5059OR	Foot pedal - orange
118	5053	Axle
119	5819DG	Wheel, complete
120	2010	Axle spring
121	2014	Axle clamp
122	5031GW	Bearing block right hand - white/dark gray
123	5010AM	Brush roller
124	5005DG	Bumper set
125	5155DG	Rubbing plate
126	5172OR	Access door (incl. pos. 127 + 128)
127	5303	Access door axle
128	5304	Access door spring
129	5154DG	Hinge
130	0100	Screw C 2.9 x 9.5 DIN 7981
131	0176TL	Screw AM 4 x 30 DIN 7985TL
132	5174DG	Pile adjustment wheel
133	5060ER	Servo motor with gear box
134	5411DG	Front bottom plate, complete
135	5412DG	Rear bottom plate, complete (incl. pos. 136 + 139)
136	5400-1	Sealing strip
137	5401	Wire tie
138	5402	Wire tie
139	0197	Screw M 4 x 12
140	5320DG	Chassis, cpl. (Old - 4 screws)
	5482DG	(New - 2 screws + 2 tabs)
141	5468	Vacuum motor 1300 W / 120 V
	051175	Carbon brush set for vac motor
142	5100	Rubber mounting
143	5462	Motor pulley
144	5129	Support lever
145	5107-1	Support spring
146	5112SW	Motor pulley cover
147	5740ER	Computer controller
148	0107	Screw C 2.9 x 13 DIN 7981
149	0143	Washer 3.2 DIN 125
150	5173SW	Cover for air channel
151	5464	Sensor
152	0104	Screw C 3.9 x 25 DIN 7981
153	5463	Belt 2MR-310-6
154	5110	Belt 219 3M HTDII-6
155	5766HG	Bearing block l. h., complete
156	5044HG	Bearing block l. h.
157	5017ER	Drive shaft, complete
158	5327	Bushing
159	5179	Clutch
160	0103	Screw C 3.9 x 16 DIN 7981
161	0141	Locking washer
162	5018UL	Motor cover
163	5117/1	Sensor pulley
164	5730DG	Display - dark gray

SEBO AUTOMATIC X5

Power Head

#9580AM X5 - White/Gray
 #9587AM X5 - Blue/Yellow



#9580AM X5 White/Gray Machine

Pos.	Part #	Description
100	5790AM	Power head cover, complete - white/dark gray
101	5712GW	Exhaust filter catch - white
102	5143	Exhaust filter
103	5711GW	Exhaust filter cover - white
104	5729UL	Swivel neck assembly
105	5176UL	Male contact holder
106	0102	Screw F 3.9 x 13 DIN 7981
107	2494	Cable clamp
108	5101	Swivel neck bearing r. h.
109	5178	Swivel neck support r. h.
110	5728	Swivel neck support l. h.
111	5717	Swivel neck bearing l. h.
112	5203ER	PCB 12 V power supply
113	5205	Ribbon cable
114	5713GW	Brush roller release - white
115	5103	Spring
116	5051DG	Axle, assembly
117	5059OR	Foot pedal, orange
118	5053	Axle
119	5819DG	Wheel, complete
120	2010	Axle spring
121	2014	Axle clamp
122	5031GW	Bearing block right hand - white/dark gray
123	5290AM	Brush roller set
124	5230DG	Bumper
125	5155DG	Rubbing plate
126	5172OR	Access door (incl. pos. 127 + 128)
127	5303	Access door axle
128	5304	Access door spring
129	5154DG	Hinge
130	0100	Screw C 2.9 x 9.5 DIN 7981
131	0176TL	Screw AM 4 x 30 DIN 7985 TL
132	5174DG	Pile adjustment wheel
133	5060ER	Servo motor with gear box
134	5413DG	Front bottom plate, complete
135	5414DG	Rear bottom plate, complete (incl. pos. 136 + 139)
136	5400-2	Sealing strip
137	5401	Wire tie
138	5402	Wire tie
139	0197	Screw M 4 x 12
140	5321DG	Chassis, complete
141	5468	Vacuum motor 1300 W / 120 V 05117 S Carbon brush set-vac mtr.
142	5100	Rubber mounting
143	5462	Motor pulley
144	5129	Support lever
145	5107-1	Support spring
146	5112SW	Motor pulley cover
147	5740ER	Computer controller
148	0107	Screw C 2.9 x 13 DIN 7981
149	0143	Washer 3.2 DIN 125
150	5173SW	Cover for air channel
151	5465	Sensor
152	0104	Screw C 3.9 x 25 DIN 7981
153	5463	Belt 2MR-310-6
154	5110	Belt 219 3M HTDII-6
155	5767HG	Bearing block l. h., complete
156	5243HG	Bearing block l. h.
157	5236	Drive shaft, complete
158	5327	Bushing
159	5179	Clutch
160	0103	Screw C 3.9 x 16 DIN 7981
161	0141	Locking washer
162	5018UL	Motor cover
163	5714GW	Brush roller release - white
164	5244HG	Seal bearing
165	5249GW	Brush cover - white/dark gray
166	5250	Edge brush
167	5246	Shaft extension, complete
168	5117/1	Sensor pulley
169	5730DG	Display - dark gray

#9587AM X5 Blue/Yellow Machine Exceptions

Pos.	Part #	Description
100	5796AM	Power head cover complete - dark blue/yellow
101	5712DB	Exhaust filter catch - dark blue
103	5711DB	Exhaust filter cover - dark blue
114	5713DB	Brush roller release - dark blue
122	5031DB	Bearing block right hand - dark blue/gray
163	5714DB	Brush roller release - dark blue
165	5249DB	Brush cover - dark blue/dark gray
169	5730SG	Display - yellow