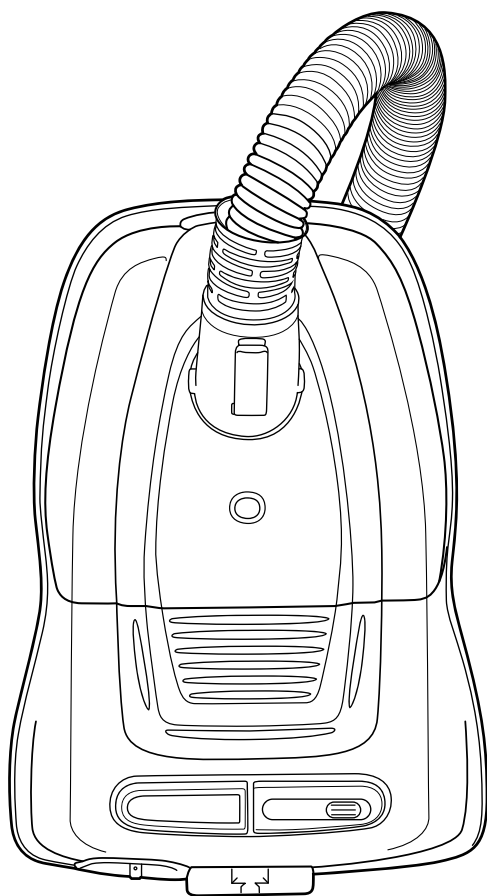


RICCAR®



Prima

Owner's Manual

R50SS, R50FSN
& R50TAP

Getting Started

Important Safety Instructions	2
Polarization Instructions	3
Description of the Vacuum and Standard Accessories	4

Assembling the Vacuum

Attaching the Hose to the Vacuum	5
Attaching the Wand to the Hose	5
Attaching the Tool Caddy to the Hose.....	5

Operation

Motor Speed Control	6
Carrying the Vacuum	6
Power Cord Management	6
Storage	6

Attachment Cleaning

Cleaning Tools	7
Adjusting the Suction Power	8
Wand Cleaning	8
Tandem Air Cleaning Tools	9

Maintenance and Care

When to Change the Vacuum Bag/Full Bag Indicator	10
Replacing the Vacuum Bag	10
When to Change the Filters	11
Replacing the HEPA Media Filter	11
Replacing the Secondary Filter	11
Power Cord Care	12
Annual Checkup	12

Power Nozzle Operation and Maintenance

Tandem Air Power Nozzle	13-16
Full Size Power Nozzle	17-21

Problem Solving Guide

Troubleshooting	22
Visit Riccar Vacuums Online	22
How to Contact Your Authorized Retailer	22
Key Replacement Parts	22
For Best Performance	22

Warranty	23
-----------------------	----

IMPORTANT SAFETY INSTRUCTIONS

When using an electrical appliance, basic precautions should always be followed, including the following:

READ ALL INSTRUCTIONS BEFORE USING THIS APPLIANCE. FOR HOUSEHOLD USE ONLY.

IMPORTANT: The manufacturer cannot accept responsibility for damage caused when the appliance is not used according to the instructions, or for uses other than those for which it was intended.

WARNING: To reduce the risk of fire, electric shock, damage or injury:

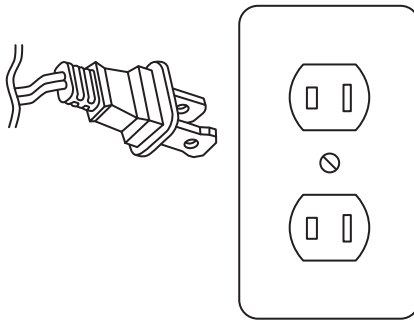
- Do not leave appliance when plugged in. Unplug from outlet when not in use and before servicing.
- **WARNING: ELECTRIC SHOCK COULD OCCUR IF USED OUTDOORS OR ON WET SURFACES.** This vacuum is intended for household use only.
- Do not allow to be used as a toy. Close attention is necessary when used by or near children.
- Use only as described in this manual. Use only manufacturer's recommended attachments.
- Do not use with damaged cord or plug. If appliance is not working as it should, has been dropped, damaged, left outdoors, or dropped into water, return it to your Authorized Retailer for service.
- Do not pull or carry by cord, use cord as a handle, close a door on the cord, or pull cord around sharp edges or corners. Do not run appliance over cord. Keep cord away from heated surfaces.
- Do not unplug by pulling on cord. To unplug, grasp the plug, not the cord.
- Hold plug when retracting the power cord to prevent the cord from whipping.
- Do not handle plug or appliance with wet hands.
- Do not put any object into openings. Do not use with any opening blocked; keep free of dust, lint, hair and anything that may reduce air flow.
- Keep hair, loose clothing, fingers and all parts of body away from openings and moving parts.
- Do not pick up anything that is burning or smoking, such as cigarettes, matches or hot ashes.
- Do not use without vacuum bag in place.
- Turn off all controls before unplugging.
- Use extra care when cleaning on stairs.
- Do not use to pick up flammable or combustible liquids such as gasoline or use in areas where they may be present.
- Do not attempt to service the unit while appliance is plugged in.
- Do not use vacuum to pick up water or any wet materials.

SAVE THESE INSTRUCTIONS

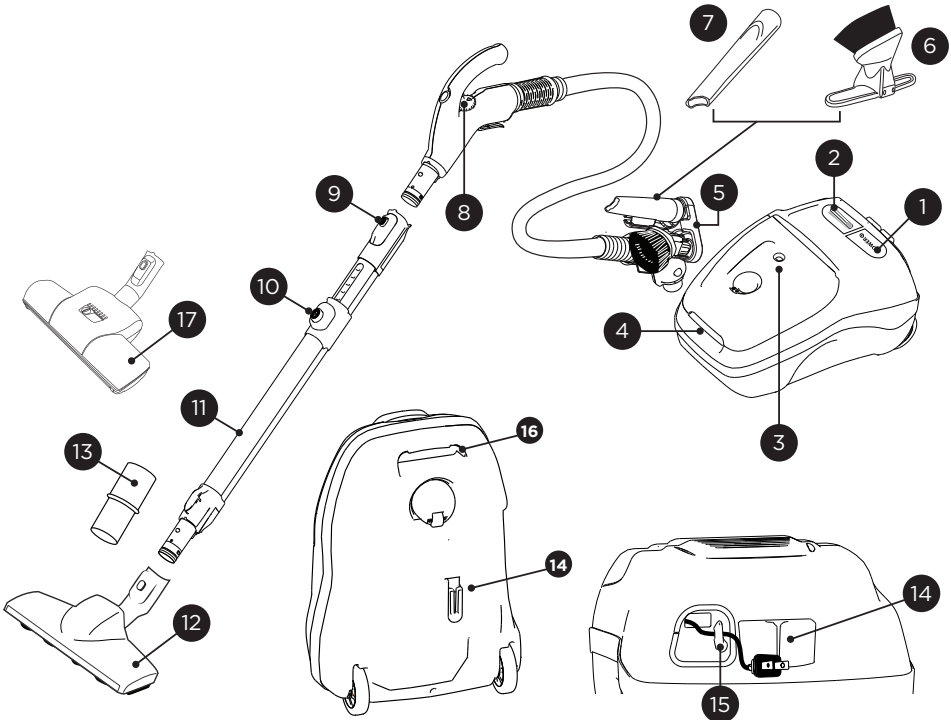
AUTO POLARIZATION INSTRUCTIONS

Power Cord, 2-Wire Polarized Cord

To reduce the risk of electric shock, the charger is equipped with a polarized alternating current line plug (a plug having one blade wider than the other). This plug will fit into the power outlet only one way. This is a safety feature. If you are unable to insert the plug fully into the outlet, try reversing the plug. If the plug should still fail to fit, contact a qualified electrician to replace the obsolete outlet. Do not defeat the safety purpose of the polarized plug.



DESCRIPTION OF THE VACUUM AND STANDARD ACCESSORIES



- | | |
|-------------------------|-------------------------------------|
| 1 On/Off Switch | 10 Wand Extension Button |
| 2 Motor Speed Control | 11 Telescopic Wand |
| 3 Full Bag Indicator | 12 Microfiber Bare Floor Tool |
| 4 Bag Compartment Latch | 13 Tool Adapter |
| 5 Tool Caddy | 14 Wand and Floor Tool Storage (2) |
| 6 2-n-1 Tool | 15 Power Cord Catch |
| 7 Crevice Tool | 16 Carry Handle |
| 8 Suction Relief Dial | 17 Floor Turbo Nozzle (R50SS Model) |
| 9 Handle Release Button | |

ASSEMBLING THE VACUUM

Attaching the Hose to the Vacuum

NOTE: Do not plug in the vacuum until it is completely assembled.

Push the hose inlet into the canister body until it clicks into place. (Fig. 1)

To remove the hose from the canister body, press the buttons on the hose inlet and pull it away from the canister (Fig. 1).

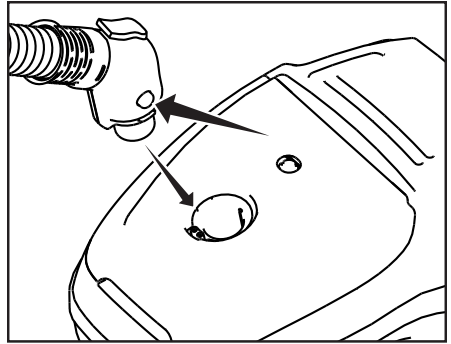


Fig 1.

Attaching the Wand to the Hose

Push the hose handle into the top of the wand until it clicks into place (Fig. 2).

Attaching the Tool Caddy to the Hose

Attach the tool caddy to the hose by lifting up on the tool clip and sliding the tool caddy down until it clicks into place. Attach any of the cleaning tools to the caddy (Fig. 3).

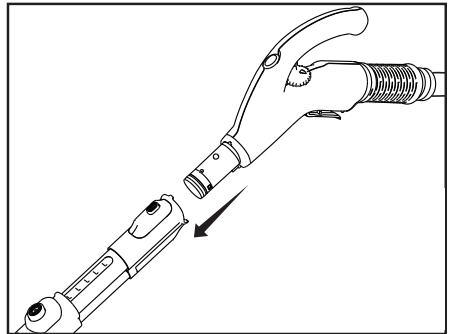


Fig. 2

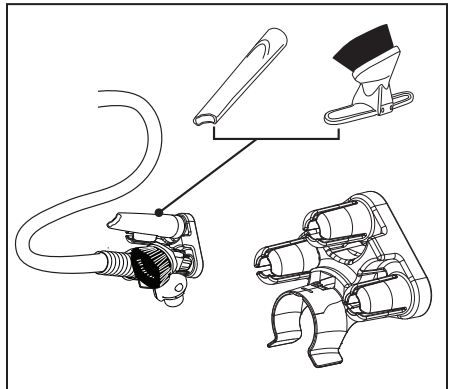


Fig. 3

OPERATION

Motor Speed Control

Slide to increase or decrease the power of the motor (Fig. 1).

Carrying the Vacuum

To safely transport your vacuum, especially when carrying the vacuum up and down stairs, use the Carry Handle located at the top of the bag compartment (Fig. 2).

Power Cord Management

Pull the cord out of the vacuum to the desired length. Do not pull the cord out past the yellow safety tape.

Insert the cord into the cord catch to lock it into place (Fig. 3).

To retract the cord, remove it from the cord catch and tug on the cord until it retracts into the vacuum.

Storage

The tab on the end of the wand or the neck of the floor tool can be inserted into either groove on the back or on the bottom of the canister for easy storage (Fig. 4).

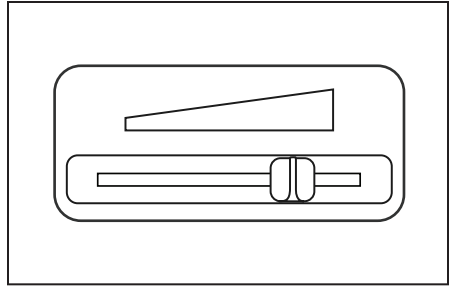


Fig. 1

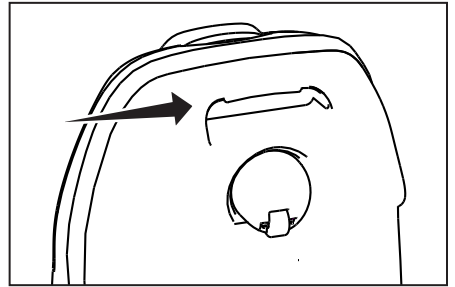


Fig. 2

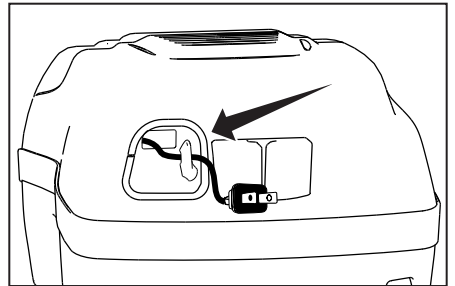


Fig. 3

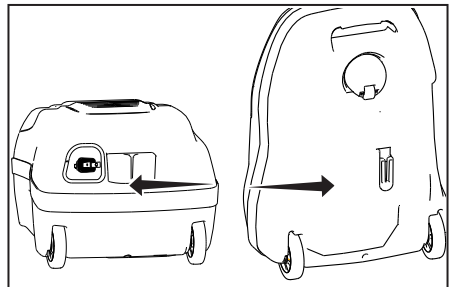


Fig. 4

ATTACHMENT CLEANING

Cleaning Tools

Your vacuum is equipped with a 2-n-1 (dusting brush/upholstery) tool, crevice tool and microfiber floor tool.

Attach any of the cleaning tools to the end of the telescopic wand or the hose handle.

2-n-1 Tool

Convert from a dusting brush to an upholstery tool by inserting the hose handle or wand end into the indicated openings (Fig. 1).

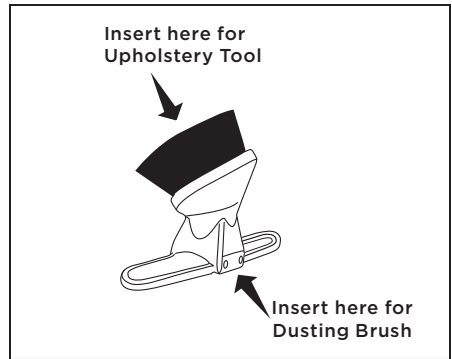


Fig. 1

Crevice Tool

Ideal for tight places like between seat cushions or corners (Fig. 2).

Microfiber Bare Floor Tool

Cleans and polishes tile, hard wood and linoleum floors (Fig. 3).

Floor Turbo Nozzle (R50SS Model)

Cleans area rugs and low pile carpet. Suction relief slider adjusts the suction level (Fig. 4).

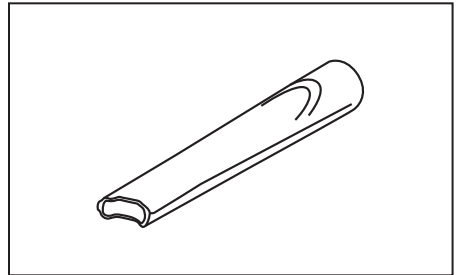


Fig. 2

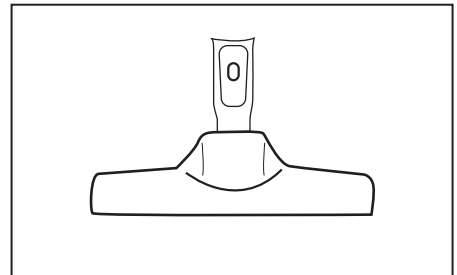


Fig. 3

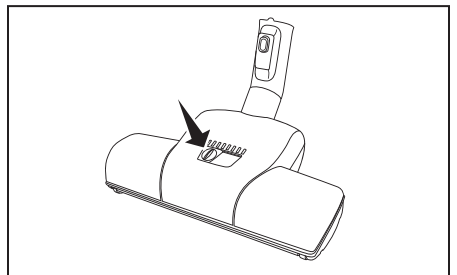


Fig. 4

ATTACHMENT CLEANING

Adjusting the Suction Power for Tool Cleaning

Full suction power may be too strong for some cleaning situations. For example, reduced suction power would be appropriate for cleaning sheer curtains.

On the hose handle, locate the Suction Relief Dial and rotate it open. This reduces the suction power coming through the hose. Rotate the dial closed (Fig. 1) when finished to restore full suction power.

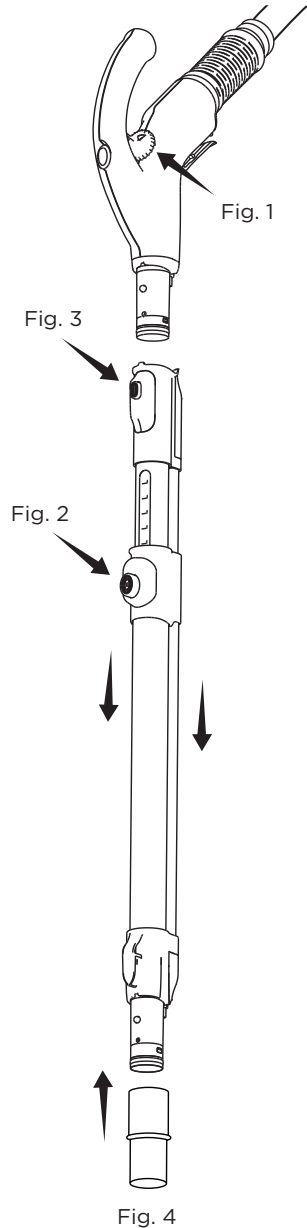
Wand Cleaning

Extend the wand by pushing the wand extension button and pushing the wand outward to the desired length (Fig. 2).

Disconnect the wand from the hose handle by pressing the Handle Release Button (Fig. 3).

Tools Adapter

Attach the adapter to the end of the wand to use other cleaning tools not included with this vacuum (Fig. 4).



TANDEM AIR CLEANING TOOLS

R50TAP Model

Rug/Floor Combination Tool

Combination Rug/Floor Tool with Snap-on Base, White Polishing Pad and Blue Mopping Pad

- Ideal for mopping, polishing and vacuuming in one easy step (Fig. 1).
- Attach the appropriate cleaning pad to the snap-on base (Fig. 2). Attach the snap-on base to the floor tool (Fig. 3). Pull the filter holder up (Fig. 2).
- Use without the snap-on base with brushes retracted for area rug cleaning, and brushes exposed for cleaning bare floors.
- Attach the floor tool to the canister wand.
- Wash pads frequently in warm water with mild detergent.

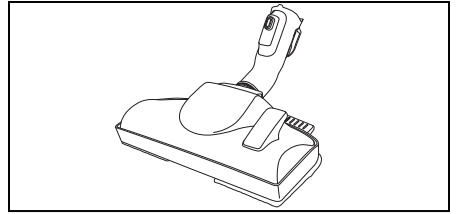


Fig. 1

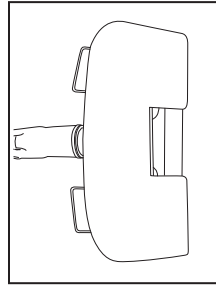


Fig. 2

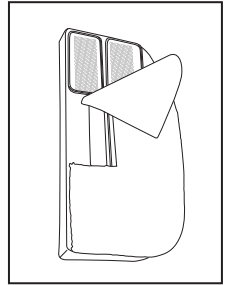


Fig. 3

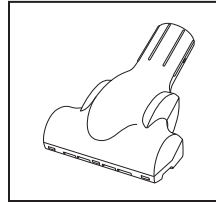


Fig. 4

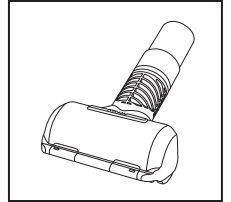


Fig. 5

Handheld Turbo Brush

Ideal for cleaning carpeted stairs, upholstery and vehicles (Fig. 4).

Fur Get It Pet Hair Remover Tool

Ideal for removing pet hair from upholstery and vehicles (Fig. 5).

Soft Carpet Bottom Plate

Ideal for vacuuming plush or dense carpet types (Fig. 6). (See Removing/Installing the Bottom Plate on page 16).

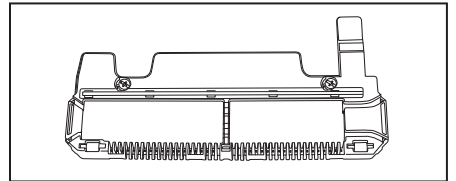


Fig. 6

Tool Storage Bag

Great for storing all of the tools in one handy place. Can also hold vacuum bags and filters (Fig. 7).

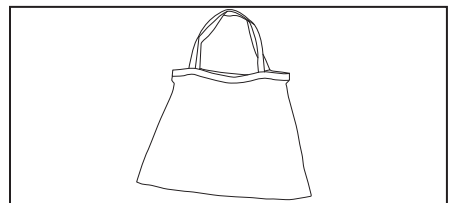


Fig. 7

MAINTENANCE AND CARE

When to Change the Vacuum Bag

The Full Bag Indicator changes to red to show when the bag is full or when there is a clog in the vacuum (Fig. 1).

The indicator could also turn red when vacuuming fine powders such as flour or drywall dust. These materials can quickly block the bag pores, significantly reducing airflow before the bag is actually full. The vacuum bag should still be changed.

The indicator may also turn red during attachment cleaning. If the indicator changes to green when attachments are no longer in use, the vacuum bag does not need to be changed.

NOTE: The vacuum bags are disposable and should be used once. Do not attempt to reuse the bag, as suction and filtration performance will be greatly reduced.

Replacing the Vacuum Bag

Change the vacuum bag when the full bag indicator changes from green to red or when the suction power is weak.

- Open the bag compartment lid (Fig. 2).
- Pull the tab on the bag collar, which closes the bag while removing it from the bag holder.
- Remove and discard the used bag.
- Slide a new bag into the bag holder until it clicks into place.
- Close the bag compartment lid.

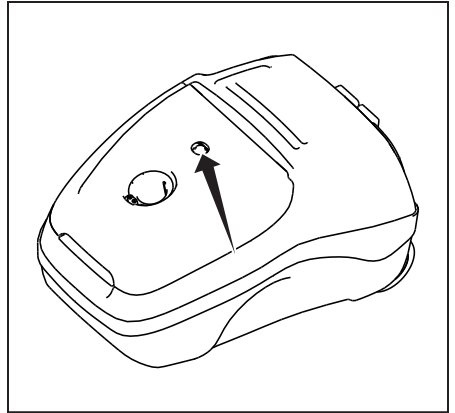


Fig. 1

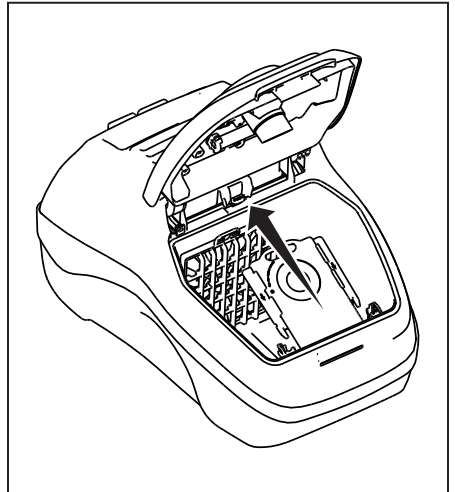


Fig. 2

When to Change the Filters

It's recommended to replace the HEPA media and secondary filters after using 12 vacuum bags.

If someone in your household suffers from allergies, it is recommended to change the filter set after every six vacuum bags.

Replacing the HEPA Media Filter

Open the bag compartment lid and locate the filter behind the vacuum bag. For better access to the HEPA media filter, remove the bag.

Grasp the tab with two fingers and pull the filter out toward you. Replace with a new filter by sliding the filter in and pushing down on the top of the tab until it clicks into place (Fig. 1).

Replacing the Secondary Filter

- Open the bag compartment lid and locate the filter behind the vacuum bag. For better access to the secondary filter, remove the bag.
- Pull the filter holder up (Fig. 2).
- Remove the used filter and replace it with a new filter.
- Slide the filter holder back into place and replace the bag.

NOTE: Filters cannot be washed and reused.

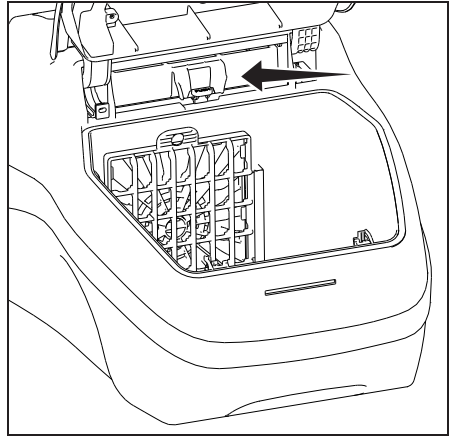


Fig. 1

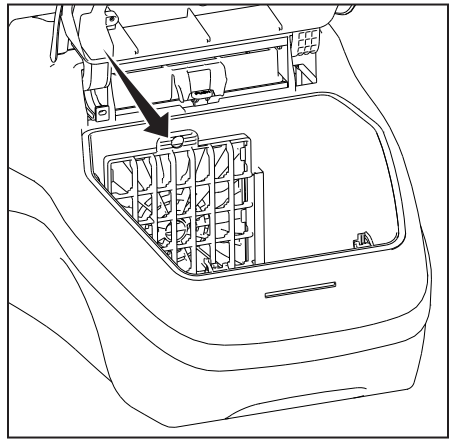


Fig. 2

MAINTENANCE AND CARE

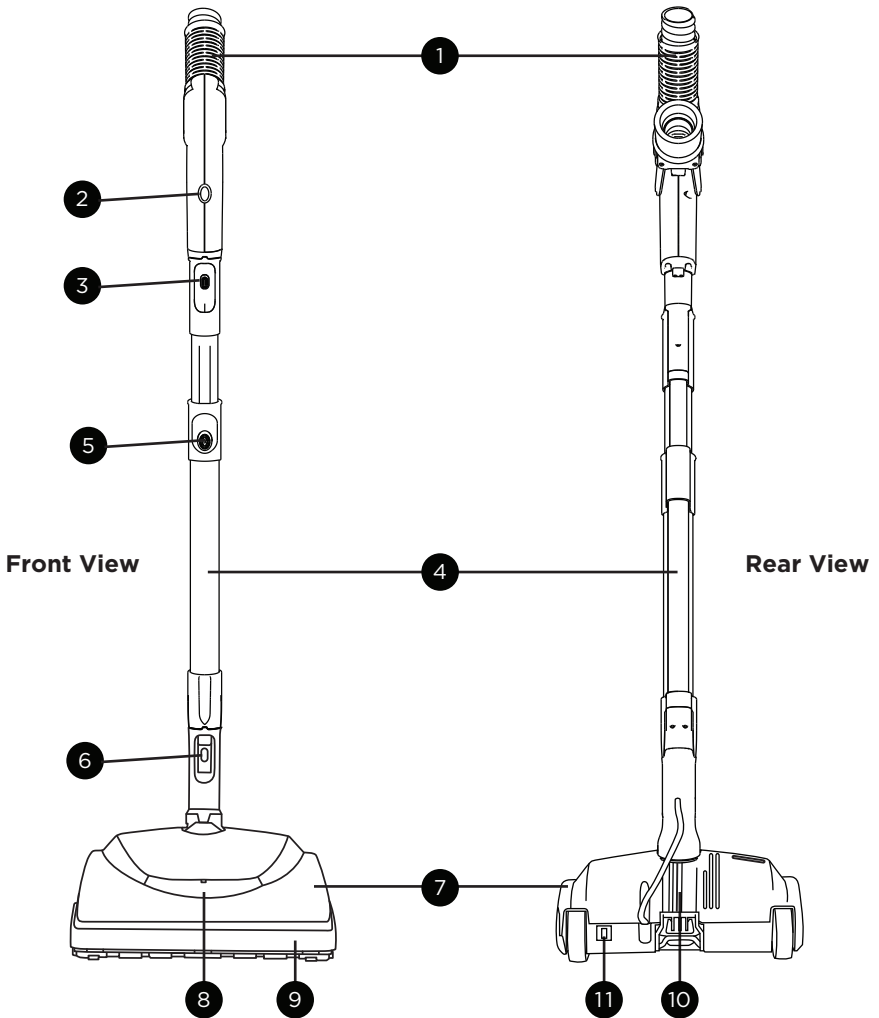
Power Cord Care

- If the cord or plug has any apparent damage, refrain from using the vacuum. Please visit an Authorized Riccar Vacuum Retailer for a new cord or plug.
- When the vacuum is in use, hold the cord to keep from running over it.
- Avoid obstructions and do not pull the cord around sharp edges or corners.
- Always keep the cord away from heated surfaces and never close doors on it as this may cause damage to the wiring.
- To unplug, always grasp the plug, not the cord.

Annual Checkup

To keep your vacuum in peak operating condition, it is recommended you bring your vacuum to an Authorized Riccar Vacuum Retailer for an annual checkup. The retailer will conduct a comprehensive examination to ensure your vacuum is in top operating condition.

DESCRIPTION OF THE TANDEM AIR POWER NOZZLE



- 1 Handle
- 2 On/Off Control for Power Nozzle
- 3 Handle Release Button
- 4 Telescopic Wand
- 5 Wand Extension Button
- 6 Wand Release Button
- 7 Tandem Air Power Nozzle

- 8 Headlight
- 8 Jammed Brushroll Warning Lights
- 9 Soft Furniture Guard
- 10 Handle Release Button
- 11 Reset Button

OPERATION OF THE TANDEM AIR POWER NOZZLE

Turning On the Power Nozzle

The power nozzle can only be turned on if the canister is also turned on. The canister On/Off switch is located on the main body. The power nozzle On/Off switch is located on the handle. Simply press the switch forward to engage the power nozzle.

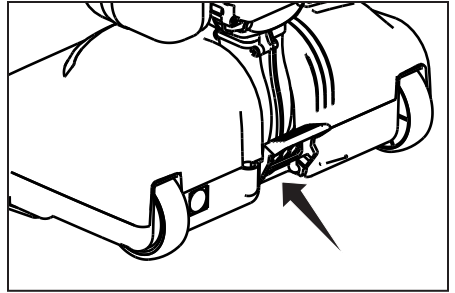


Fig. 1

Reclining the Wand

Press the Handle Release Pedal located on the back of the vacuum with your foot to recline the handle (Fig. 1).

Removing and Inserting the Wand

Removing the wand from the power nozzle allows you to use cleaning tools for baseboard or ceiling cleaning. To do this, first turn the power nozzle and canister off. Then, press the wand release button, pull the wand out and turn the canister on (Fig. 2).

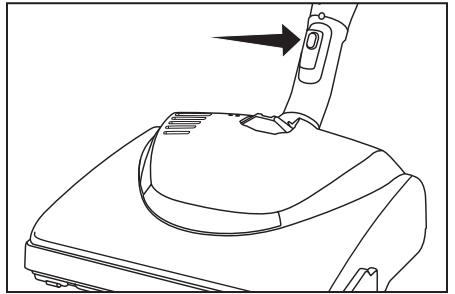


Fig. 2

To reinsert the wand into the power nozzle, turn off the canister and simply press the wand back into the neck of the power nozzle. The wand will then click into place.

Jammed Brushroll Warning Lights

This power nozzle is equipped with a safety system that protects it from a jammed situation. Items that cause jammed brushrolls include socks, excessive threads and corners of area rugs. The warning indicator lights in the headlight lens will change to flashing red should this condition occur (Fig. 3).

- Turn off the vacuum cleaner and the power nozzle then unplug the power cord.
- Remove the object preventing the brushroll from turning.

When the unit is turned back on, the red warning indicator lights in the headlight lens will be off if the jam has been successfully removed.

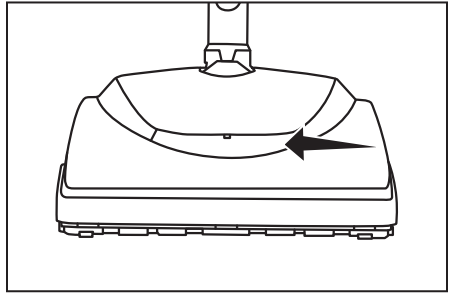


Fig. 3

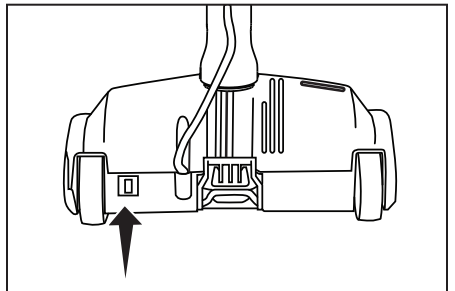


Fig. 4

MAINTENANCE OF THE TANDEM AIR POWER NOZZLE

Edge Cleaning

The edge cleaning feature provides improved cleaning near walls and stationary furniture. For maximum edge cleaning, place the left side of the nozzle, from the user's perspective, against the wall.

Automatic Carpet Height Adjustment

Your vacuum is designed with an automatic self-adjusting nozzle. No manual adjustments are required. The height of the nozzle automatically adjusts to the flooring surface. This self-adjusting feature allows the nozzle to float evenly over all flooring surfaces.

Replacing the Vacuum Belt

WARNING! To Reduce the Risk of Electrical Shock or Injury from Moving Parts, Turn the Vacuum Off and Unplug it.

NOTE: To ensure maximum cleaning efficiency, the belt should be checked regularly to be sure it is in good condition. Check to see if the belt is stretched, cracked, or if excessive slipping is occurring. Replace if needed.

- Turn the vacuum off and unplug it before changing the belt.
- Remove the bottom plate (see Removing and Reinstalling the Bottom Plate, page 16).
- Remove the brushroll and the worn or broken belt from the brushroll pulley and the motor drive shaft (Fig. 1).
- Loop the new belt around the motor drive shaft and the brushroll.
- Reinstall the brushroll into the nozzle. Turn the brushroll by hand, making sure the belt is not twisted and all rotating parts move smoothly (Fig. 2).
- Reinstall the bottom plate (see Removing and Reinstalling the Bottom Plate, page 16).

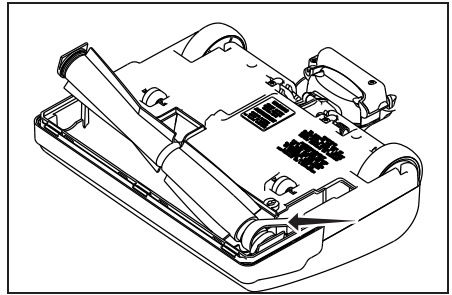


Fig. 1

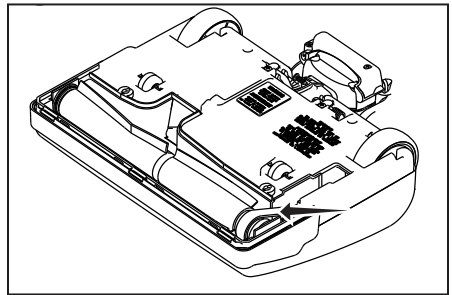


Fig. 2

MAINTENANCE OF THE TANDEM AIR POWER NOZZLE

Replacing the Squeegee

WARNING! To Reduce the Risk of Electrical Shock or Injury from Moving Parts, Turn the Vacuum Off and Unplug it.

This power nozzle is equipped with a squeegee on the bottom to improve its effectiveness in cleaning bare floors.

If the squeegee splits or begins to look worn, simply slide the worn squeegee from its track and slide a new one into the track (Fig. 1). If you have trouble installing the new squeegee, contact an Authorized Riccar Retailer for further assistance.

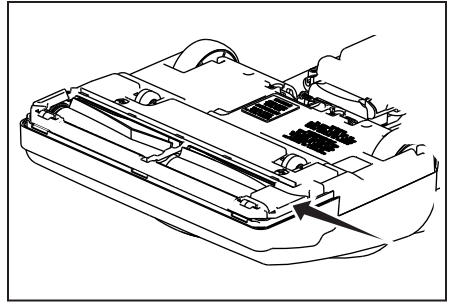


Fig. 1

Removing the Bottom Plate

Turn the power nozzle over. Turn the two screws 1/4 turn (Fig. 2) to release the bottom plate. Lift off the bottom plate.

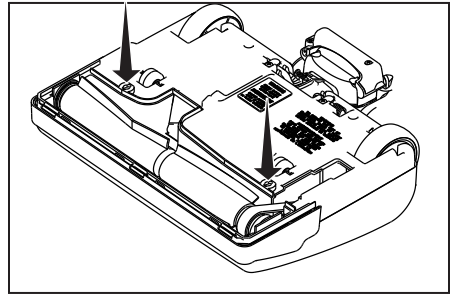


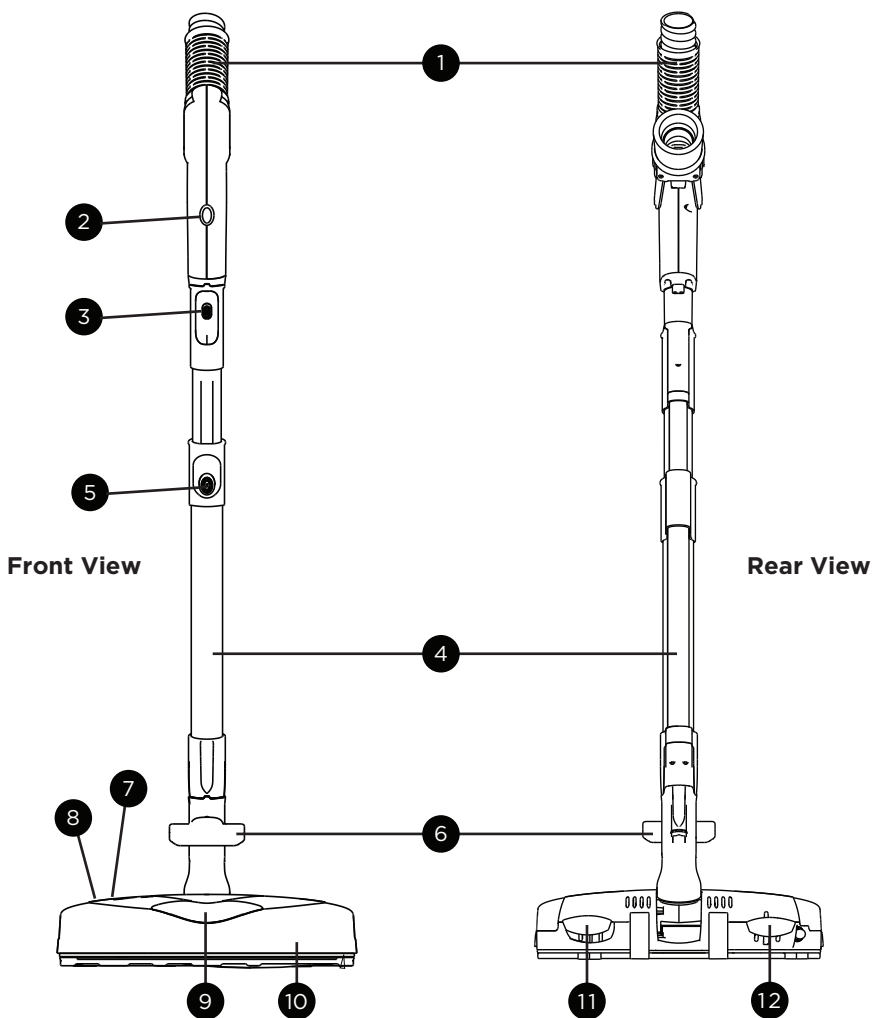
Fig. 2

Replacing the Bottom Plate

Line up the hinges on the bottom plate then press the plate into position. Replace the two screws and turn 1/4 turn to tighten.

This power nozzle has an optional Soft Carpet bottom plate for vacuuming plush or dense carpet types with greater ease. If your home has soft carpet and you find pushing the power nozzle with the standard bottom plate across your carpet difficult, you should remove the standard bottom plate and install the Soft Carpet bottom plate.

DESCRIPTION OF THE FULL SIZE POWER NOZZLE



- 1 Handle
- 2 On/Off Control for Power Nozzle
- 3 Handle Release Button
- 4 Telescopic Wand
- 5 Wand Extension Button
- 6 Wand Release Collar
- 7 Jammed Brushroll Warning Light

- 8 Height Indicator Window
- 9 Headlight
- 10 Soft Furniture Guard
- 11 Handle Release Pedal
- 12 Height Adjustment Pedal

OPERATION OF THE FULL SIZE POWER NOZZLE

Turning On the Power Nozzle

The power nozzle can only be turned on if the canister is also turned on. The canister's On/Off switch is located on the main body. The power nozzle On/Off switch is located on the handle. Simply press the switch forward to engage the power nozzle.

Reclining the Wand

After turning on the canister and the power nozzle, lower the wand by pressing the left pedal on the back side of the power nozzle (Fig. 1).

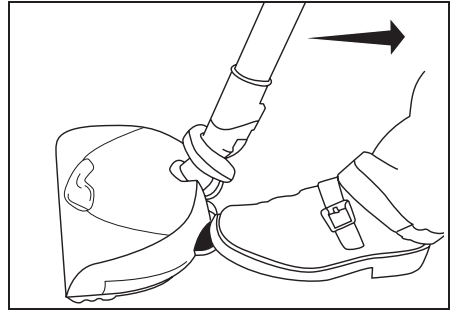


Fig. 1

Removing and Inserting the Wand

Remove the wand from the power nozzle to use cleaning tools. Turn the power nozzle and the canister off. Then, press the wand release collar and remove the wand and turn the canister on (Fig. 2).

To reinsert the wand into the power nozzle, turn the canister off and press the wand back into the neck of the power nozzle. The wand will then click into place.

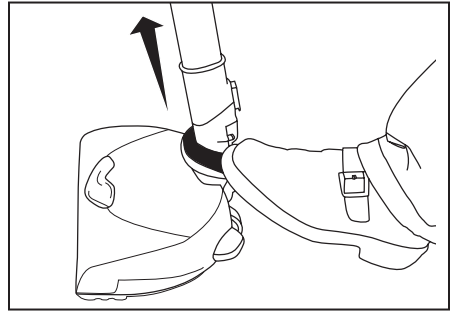


Fig. 2

Carpet Height Adjustment

This power nozzle has six different settings to clean a variety of carpet types and floor surfaces. To adjust the carpet height setting of the power nozzle, press the right pedal located on the back of the power nozzle (Fig. 3). Each press of this pedal will adjust the height to the next carpet height position.

The height indicator window shows the current setting. You will see one of the six settings detailed below (Fig. 4).

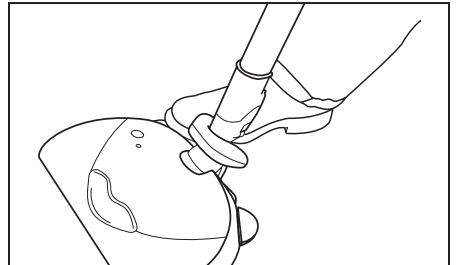


Fig. 3

Setting: Intended Use:

1. XHI Very plush carpet
2. HI Plush carpet
3. Auto General carpet thickness or bare floors
4. MED Medium pile carpet
5. LO Low pile carpet
6. XLO Indoor/Outdoor carpet

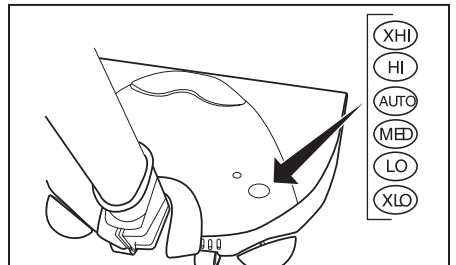


Fig. 4

OPERATION OF THE FULL SIZE POWER NOZZLE

Carpet Height Adjustment Tips:

When using the power nozzle, start on the “Auto” setting. If pushing the power nozzle feels difficult, then adjust to a higher setting. If the power nozzle feels very easy to push, you may want to lower the power nozzle for more effective cleaning. The “Auto” setting is the recommended setting for hard floor surfaces (i.e. tile, vinyl, wood).

Warning Light

Your power nozzle is equipped with a circuit breaker safety system that protects it from a jammed situation. Items that cause jammed brushrolls include socks, excessive threads and corners of area rugs. The warning indicator light on top of the unit will change from green to red should this condition occur (Fig. 1).

If the circuit breaker trips:

- Turn off the vacuum cleaner and power nozzle then unplug the power cord.
- Remove the object preventing the brushroll from turning.
- Locate the circuit breaker switch on the back of the power nozzle and press it to reset the breaker (Fig. 2). When the unit is turned back on, the warning light should be green.

If the breaker trips again, repeat these steps again to correct the problem. If this does not correct the problem, contact an Authorized Riccar Retailer for further assistance.

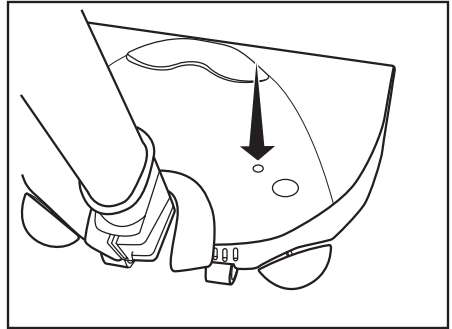


Fig. 1

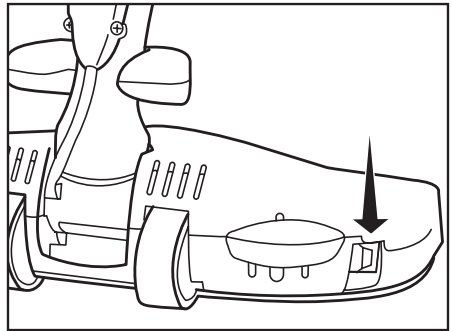


Fig. 2

MAINTENANCE OF THE FULL SIZE POWER NOZZLE

Removing the Brushroll

WARNING! To Reduce the Risk of Electrical Shock or Injury from Moving Parts, Turn the Vacuum Off and Unplug it.

Your brushroll may need to be removed at times to cut threads that have become tangled around the brushroll or to replace the belt (see Replacing the Power Nozzle Belt).

To remove the brushroll, turn the unit over and take off the metal bottom plate by first unscrewing the two bottom plate screws located by the rear wheels (Fig. 1). Remove the belt cover guard and pull the brushroll out (Fig. 2).

To reinstall the brushroll, reinsert the brushroll back into the unit (make sure the belt is attached properly). Next, insert the belt cover guard. Then, place the metal bottom plate back onto the unit (insert the front end of the bottom plate first). Re-insert the two bottom plate screws and secure.

Replacing the Power Nozzle Belt

To replace the power nozzle belt, you must first remove the brushroll (see "Removing the Brushroll"). Then locate and discard the broken belt (Fig. 3). To install the new belt, locate the power nozzle motor pulley and loop the belt around it. Place the other end of the belt around the brushroll making sure the belt is seated in the "belt groove" of the brushroll (Fig. 4).

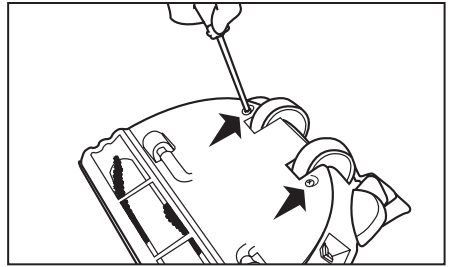


Fig. 1

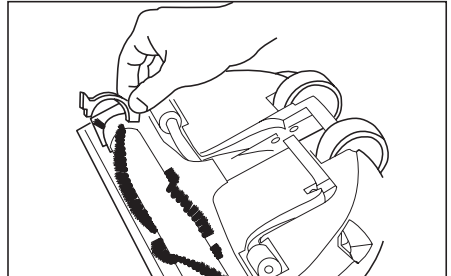


Fig. 2

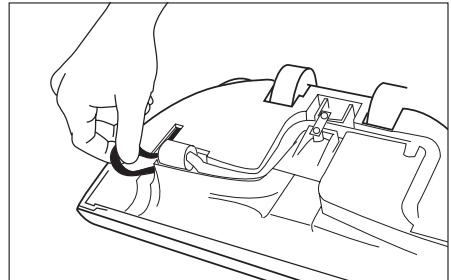


Fig. 3

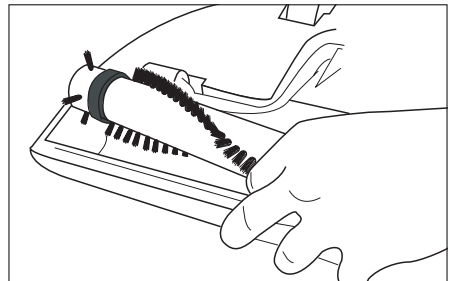


Fig. 4

MAINTENANCE OF THE FULL SIZE POWER NOZZLE

Replacing the Power Nozzle Belt Cont.

Insert the brushroll back into the brushroll tray and place the belt guard back into position (Fig. 1).

Spin the brushroll with your hand to make sure it spins freely. Place the metal bottom plate onto the unit (insert the front end of the bottom plate first). Re-insert the two bottom screws and secure (Fig. 2).

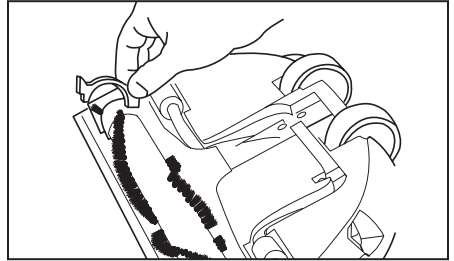


Fig. 1

Replacing the Bulb

WARNING! To Reduce the Risk of Electrical Shock or Injury from Moving Parts, Turn the Vacuum Off and Unplug it.

Turn the power nozzle over and remove the bottom plate by first unscrewing the two bottom plate screws located by the rear wheels (Fig. 2).

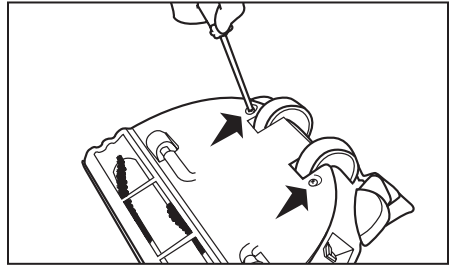


Fig. 2

Remove the two top cover screws (Fig. 3). Turn the power nozzle back over, push the neck flat, and remove the top cover.

Simply pull the bulb out (no twisting) and reinsert a factory-authorized bulb (Fig. 4). Place the top cover back on the unit, turn the machine over and re-insert the two top cover screws. Reinstall the bottom plate.

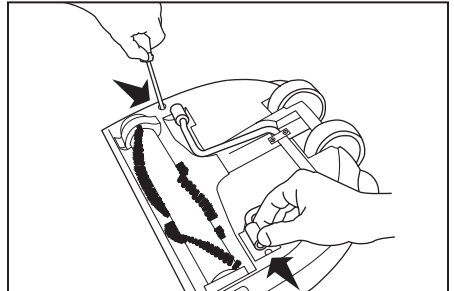


Fig. 3

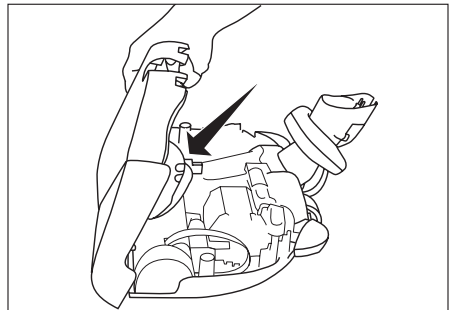


Fig. 4

PROBLEM SOLVING GUIDE

Troubleshooting

WARNING! To reduce the risk of electrical shock or injury from moving parts, unplug the vacuum before servicing or cleaning the vacuum.

CAUTION! To Reduce the Risk of Electric Shock, Do Not Handle Plug or Appliance with Wet Hands.

PROBLEM	CHECK POINT	POSSIBLE SOLUTION
Suction power is weak.	Vacuum Bag	If vacuum bag is full, replace it.
The vacuum does not work.	Wand, Tools or Hose	If clogged or blocked, remove the object.
	Hose Inlet	Insert it completely into canister body.
	Vacuum Bag	Turn off and unplug the vacuum. Check the vacuum bag and accessories and remove any blockages.
Power cord doesn't retract.	Power Cord	Tug the power cord a little until it starts to retract.
Power cord won't pull out of the vacuum.	Power Cord	Do not pull it out by force. Contact an Authorized Riccar Retailer for further assistance.

Any other service should be performed by an Authorized Riccar Vacuum Retailer.

To locate your nearest Authorized Retailer, visit our website at Riccar.com or call 888-674-2227.

Key Replacement Parts

- Genuine HEPA Media Vacuum Bags: **RCH-6**
- Genuine Filter Sets: **RF19** (HEPA media and charcoal)
RF19G (HEPA media and granulated charcoal)
- Genuine Belt: **B350-2514** (Full Size Power Nozzle)
- Microfiber Bare Floor Tool Microfiber Pad 3 Pack: **MFP-3**

For Best Performance

- Keep your vacuum clean and in good operating condition.
- Change the vacuum bag once a month or when the full bag light is illuminated to maximize cleaning performance.
- Always use genuine Riccar vacuum bags and replacement parts. Use of other products may result in poor cleaning performance, potential vacuum cleaner damage and may void vacuum warranty. Genuine products are designed for maximum cleaning performance.
- Have your vacuum checked annually by your Authorized Riccar Vacuum Retailer.
- Store your vacuum carefully in a dry area.
- For optimum cleaning performance and safety, follow your owner's manual instructions.

WARRANTY

What is Covered:

This warranty covers any defects in material and workmanship in your new vacuum and applies exclusively to the original purchaser.

How Long Coverage Lasts:

MODEL	WARRANTY ON THE MOTOR AND THE CANISTER ITSELF	WARRANTY ON THE POWER NOZZLE, WAND AND HOSE
R50SS	3 Years	N/A
R50FSN	5 Years	3 Years
R50TAP	10 Years	5 Years

Canister body contents and all other components on household models used commercially are warranted for 90 days.

What is Not Covered:

- Damage to the vacuum which occurs from neglect, abuse, alterations, accident, misuse or improper maintenance.
- Normal replacement items: belts, filters and disposable bags.

What We Will Do:

This warranty provides, at no cost to you, all labor and parts to keep this vacuum in correct operating condition during the warranted period.

How to Get Service:

Warranty service can only be obtained by presenting the vacuum to an Authorized Riccar Retailer. A proof-of-purchase and product serial number will be required before service is rendered. To locate your nearest service center, please call 888-674-2227 or visit Riccar.com.

THIS WARRANTY IS EXCLUSIVE AND IN LIEU OF ANY AND ALL OTHER WARRANTIES WHETHER WRITTEN, ORAL, EXPRESSED OR IMPLIED, (INCLUDING ANY WARRANTY OF MERCHANTABILITY OR FITNESS FOR A PARTICULAR PURPOSE). THIS WARRANTY DISCLAIMS LIABILITY FOR INCIDENTAL OR CONSEQUENTIAL DAMAGES.

How State Law Applies:

This warranty gives you specific legal rights, and you may also have other rights which vary from state to state.

Owner's Warranty Information (keep this for your records)

Store name _____

Store Address _____ City _____ State _____ Zip _____

Telephone _____ Date of purchase _____

Serial number _____ Model number _____

Register your warranty online at **Riccar.com**

RICCAR®

Riccar.com
888-674-2227

1760 Gilsinn Lane
Fenton, MO 63026