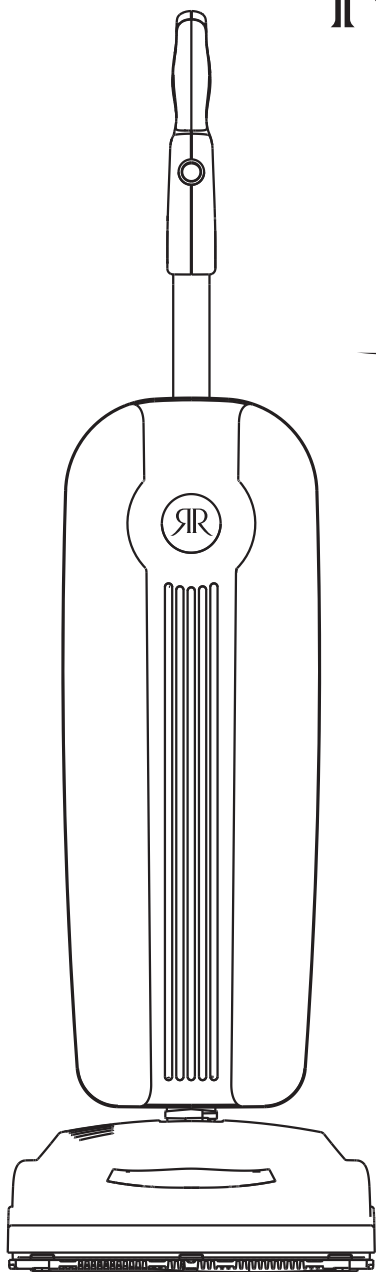


RICCAR®



SupraLite

Owner's Manual
R10S, R10P & R17

Getting Started

| | |
|-------------------------------------|---|
| Important Safety Instructions | 2 |
| Polarization Instructions | 3 |
| Description of the Vacuum | 4 |
| Assembling the Vacuum | 5 |

Operation

| | |
|--|---|
| Reclining the Handle | 6 |
| On/Off Switch | 6 |
| Edge Cleaning | 6 |
| Automatic Carpet Height Adjustment | 6 |
| Bare Floor Cleaning | 6 |

Maintenance and Care

| | |
|--|----|
| Power Cord Care | 7 |
| Vacuumping Under Furniture | 7 |
| Replacing the Vacuum Bag | 8 |
| Removing/Reinstalling the Bottom Plate | 9 |
| Replacing the Agitator Belt | 10 |
| Lifetime Belt Protection | 10 |
| Brushroll Jam Indicator | 11 |
| Resetting the Circuit Breaker | 12 |
| Replacing the Squeegee | 12 |
| Annual Checkup | 12 |

Problem Solving Guide

| | |
|---|----|
| Troubleshooting | 14 |
| Visit Riccar Vacuums Online | 14 |
| How to Contact Your Authorized Retailer | 14 |
| Key Replacement Parts | 14 |
| For Best Performance | 14 |

Warranty

IMPORTANT SAFETY INSTRUCTIONS

When using an electrical appliance, basic precautions should always be followed, including the following:

READ ALL INSTRUCTIONS BEFORE USING THIS APPLIANCE. FOR HOUSEHOLD USE ONLY.

IMPORTANT: The manufacturer cannot accept responsibility for damage caused when the appliance is not used according to the instructions, or for uses other than those for which it was intended.

WARNING: To reduce the risk of fire, electric shock, damage or injury:

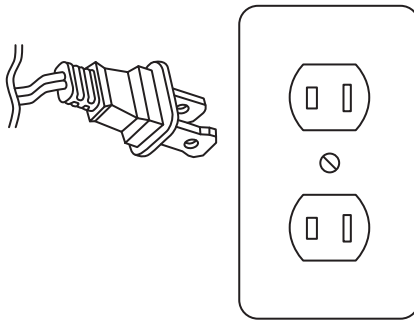
- Do not leave appliance when plugged in. Unplug from outlet when not in use and before servicing.
- Do not use outdoors or on wet surfaces.
- Do not allow to be used as a toy. Close attention is necessary when used by or near children.
- Use only as described in this manual.
- Do not use with a damaged cord or plug. If appliance is not working as it should, has been dropped, damaged, left outdoors, or dropped into water, return it to your Authorized Riccar Retailer for service.
- Do not pull or carry by the cord, use the cord as a handle, close a door on the cord, or pull the cord around sharp edges or corners. Do not run appliance over the cord. Keep the cord away from heated surfaces.
- Do not unplug by pulling on the cord. To unplug, grasp the plug, not the cord.
- Do not handle the plug or appliance with wet hands.
- Do not put any object into openings. Do not use with any opening blocked; keep free of dust, lint, hair and anything that may reduce air flow.
- Keep hair, loose clothing, fingers and all parts of the body away from openings and moving parts.
- Do not pick up anything that is burning or smoking, such as cigarettes, matches or hot ashes.
- Do not use without a vacuum bag and/or filters in place.
- Turn off all controls before unplugging.
- Use extra care when cleaning on stairs.
- Do not use to pick up flammable or combustible liquids such as gasoline or use in areas where they may be present.
- Do not attempt to service the unit while appliance is plugged in.

SAVE THESE INSTRUCTIONS

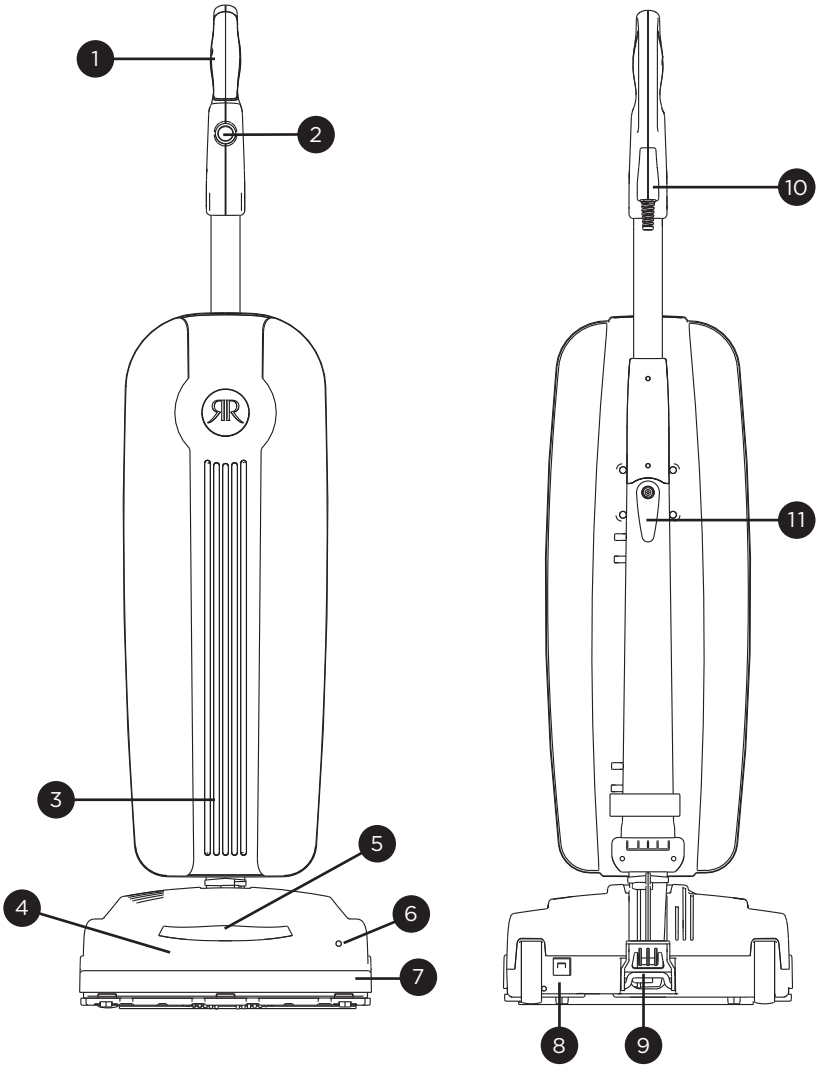
AUTO POLARIZATION INSTRUCTIONS

Power Cord, 2-Wire Polarized Cord

To reduce the risk of electric shock, the charger is equipped with a polarized alternating current line plug (a plug having one blade wider than the other). This plug will fit into the power outlet only one way. This is a safety feature. If you are unable to insert the plug fully into the outlet, try reversing the plug. If the plug should still fail to fit, contact a qualified electrician to replace the obsolete outlet. Do not defeat the safety purpose of the polarized plug.



DESCRIPTION OF THE VACUUM



- 1 Ergonomic Handle
- 2 On/Off Power Switch
- 3 Bag Compartment
- 4 Vacuum Nozzle
- 5 Headlight
- 6 Brushroll Jam Indicator (models R10P & R17)
- 7 Furniture Guard
- 8 Circuit Breaker Reset Button (model R10S)
- 9 Handle Release Pedal
- 10 Upper Cord Hook
- 11 Quick Release Cord Hook

ASSEMBLING THE VACUUM

Attaching the Handle to the Vacuum

NOTE: Do not plug in the vacuum until it is completely assembled.

The vacuum cleaner and the handle are packed separately and require assembly.

- Thread the cord through the lower and upper cord guides on the back of the vacuum bag (Fig. 1).
- Remove the handle bracket by removing the two screws (Fig. 2).
- Place handle onto the back of the vacuum, aligning holes with pegs (Fig. 3).
- Place the handle bracket back into position (Fig. 4).
- Secure with two screws removed in Step 2.
- Open the bag compartment to ensure a vacuum bag is in place.
- Your vacuum is now ready for use.
- If storing the vacuum, wrap the cord clockwise around the top and bottom cord hooks. Fasten the plug to the wrapped cord using the channel on the plug.

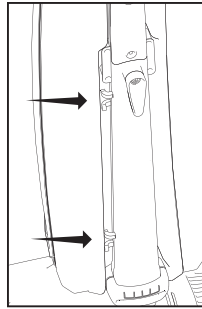


Fig. 1

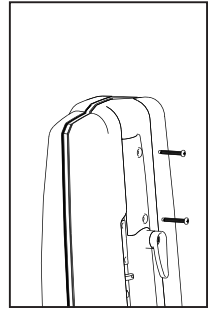


Fig. 2

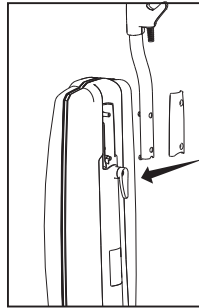


Fig. 3

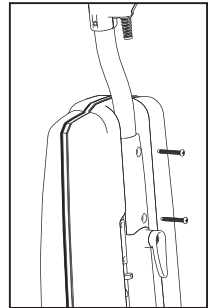
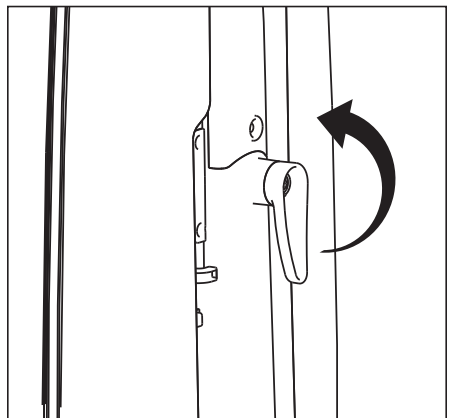


Fig. 4

Unwinding the Power Cord

- The lower cord hook rotates to allow for quick access to the power cord. Turn the lower cord hook upward and you can quickly drop the power cord to the floor without unwinding it from the cord hooks.
- When storing the vacuum cleaner, turn the lower cord hook to the downward position and wind the power cord around the cord storage hooks.



OPERATION

This vacuum is intended for household use only.

Reclining the Handle

- Press the handle release pedal located on the back of the vacuum with your foot to recline the handle (Fig. 1).

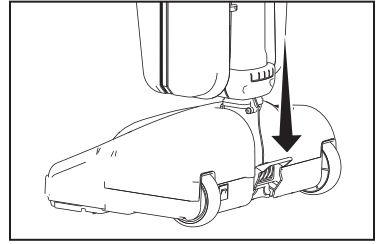


Fig. 1

On/Off Switch

- The power switch located on the vacuum handle, is a three-way switch (Fig. 2). The middle position is the “Off” setting, the rear position is the “On” setting and the forward position is for “Maximum Power” (Fig. 3).
- Use the “Maximum Power” setting for carpet cleaning. Use the “On” setting for cleaning bare floors and throw rugs. Always turn the vacuum cleaner to the “Off” setting before unplugging it from the electrical outlet.

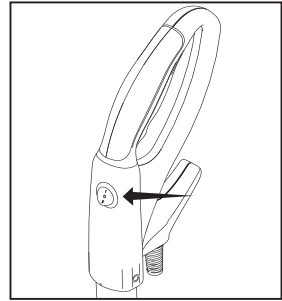


Fig. 2

Edge Cleaning

The edge cleaning feature provides improved cleaning near walls and stationary furniture. For maximum edge cleaning, place the left side of the nozzle, from the user’s perspective, against the wall or stationary furniture.

Automatic Carpet Height Adjustment

Your vacuum is designed with an automatic self-adjusting nozzle. No manual adjustments are required. The height of the nozzle automatically adjusts to the flooring surface. This self-adjusting feature allows the nozzle to float evenly over all flooring surfaces.

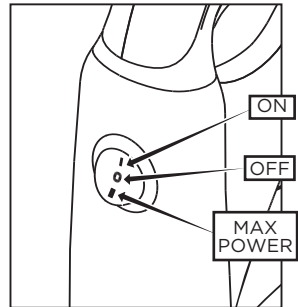


Fig. 3

Bare Floor Cleaning

Your vacuum is equipped with a squeegee on the bottom of the vacuum to improve its effectiveness in cleaning bare floors (Fig. 4). When cleaning tile, hardwood, vinyl, etc., use the “On” setting for best results.

The R17 model is equipped with a soft carpet bottom plate, to improve its effectiveness in cleaning plush carpet. The R17 bottom plate is also equipped with a squeegee.

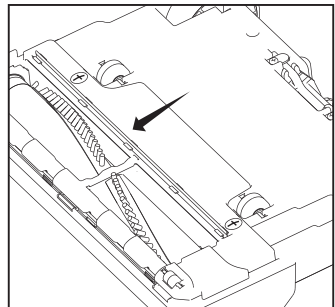


Fig. 4

Power Cord Care

- If the cord or plug has any apparent damage, refrain from using the vacuum. Please visit an Authorized Riccar Retailer for a new cord or plug.
- When the vacuum is in use, hold the cord to keep from running over it.
- Avoid obstructions and do not pull the cord around sharp edges or corners.
- Always keep the cord away from heated surfaces and never close doors on it as this may cause damage to the wiring.
- To unplug, always grasp the plug, not the cord.

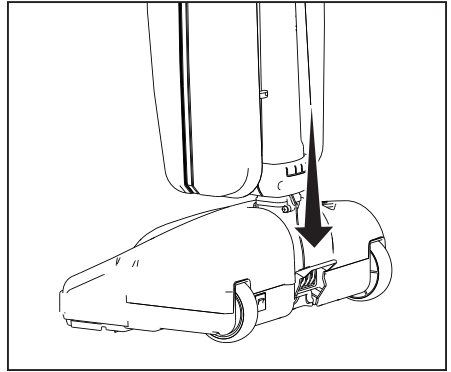


Fig. 1

Vacuuming Under Furniture

Your vacuum will lay flat on the floor for effective cleaning under beds and tables.

- Press the handle release pedal once for normal vacuum cleaning (Fig. 1).
- Continue to lower the handle to enable the vacuum to lay flat on the floor (Fig. 2).

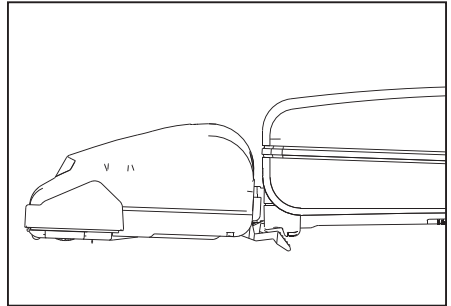


Fig. 2

MAINTENANCE AND CARE

Replacing the Vacuum Bag

NOTE: Unplug the vacuum cleaner from the electrical outlet before changing the bag.

- Unzip the bag compartment.
- Remove the used vacuum bag by pulling the green bag collar tab away from the vacuum (Fig. 1). Slide the used bag out of the bag holder which automatically seals the bag opening (Fig. 2). Discard the used bag.
- To install a new bag, slide the bottom of the green bag collar into the bag holder until it “snaps” into place (Fig. 3).
- Push the top of the bag collar upward until the collar “snaps” into place on the vacuum (Fig. 4).
- Tuck the bag corners into the bag compartment then zip the bag compartment closed.

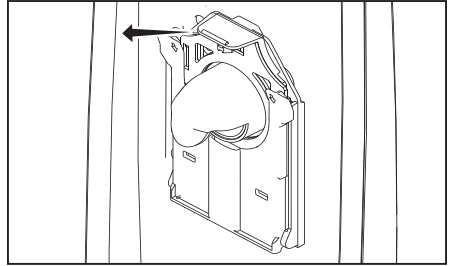


Fig. 1

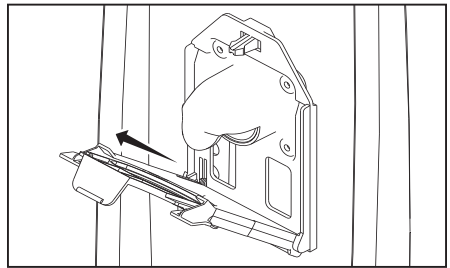


Fig. 2

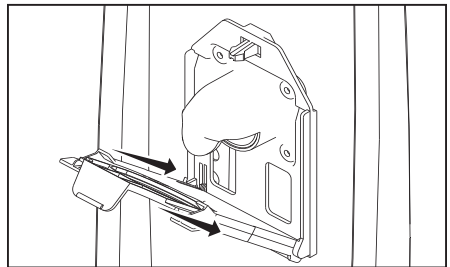


Fig. 3

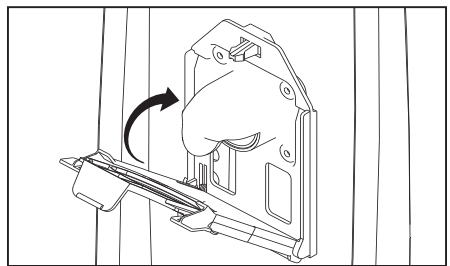


Fig. 4

Removing and Reinstalling the Bottom Plate

WARNING! To Reduce the Risk of Electrical Shock or Injury From Moving Parts, Unplug Before Servicing or Cleaning.

To Remove the Bottom Plate:

- Press the handle release pedal to place the vacuum cleaner in the flat position.
- Turn the vacuum cleaner over, exposing the bottom plate.
- Turn the two screws a quarter turn to release the bottom plate (Fig. 1). Remove the bottom plate.
- Reinstall the bottom plate by aligning the front edge of the bottom plate into the notches inside the nozzle housing (Fig. 2).
- Press the bottom plate into position until the plate “clicks” on both sides. Tighten the two screws a quarter turn to secure the bottom plate.

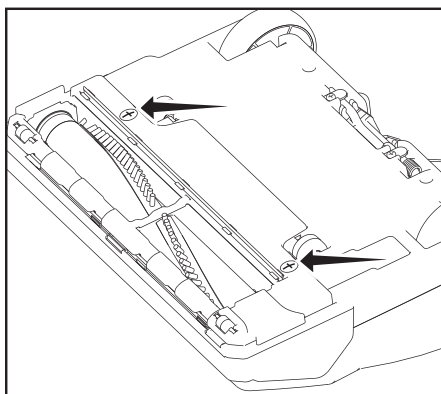


Fig. 1

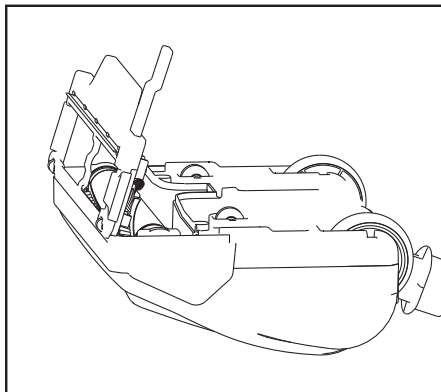


Fig. 2

MAINTENANCE AND CARE

Replacing the Agitator Belt

WARNING! To Reduce the Risk of Electrical Shock or Injury From Moving Parts, Unplug Before Servicing or Cleaning.

NOTE: To ensure maximum cleaning efficiency, the belt should be checked regularly to be sure it is in good condition. Check to see if the belt is stretched, cracked, or if excessive slipping is occurring. Replace if needed.

- Remove the bottom plate (see page 9).
- Remove the brushroll and the worn or broken belt from the brushroll pulley and the motor drive shaft (Fig. 1).
- Loop the new belt around the motor drive shaft and the brushroll (Fig. 2).
- Reinstall the brushroll into the housing. Turn the brushroll by hand, making sure the belt is not twisted and all rotating parts move smoothly.
- Reinstall the bottom plate (see page 9).

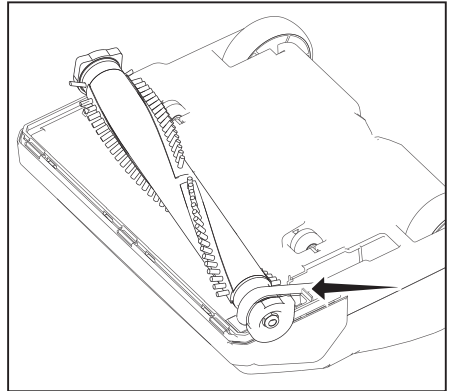


Fig. 1

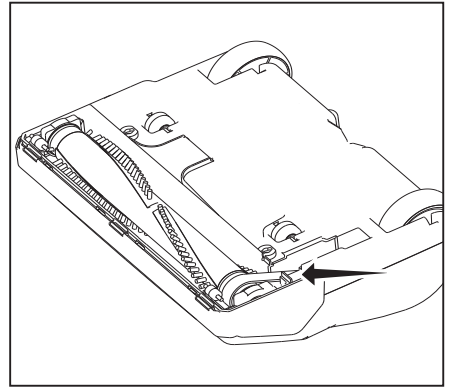
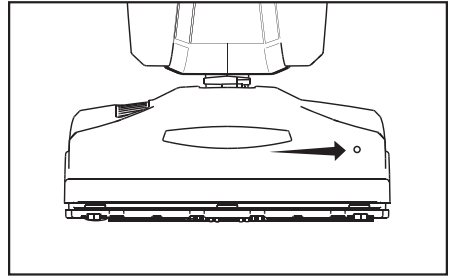


Fig. 2

Brushroll Jam Indicator (Models R10P and R17)

If an object, such as a throw rug or article of clothing is ever picked up into your vacuum, the vacuum will sense this “jammed brushroll” condition and turn off the brushroll. When this happens, the Brushroll Jam Indicator light on the top of the nozzle will flash in red.

- Turn off the vacuum and remove the cause of the jam. Turn the vacuum back on.
- If the brushroll is free of obstructions and the Brushroll Jam Indicator light is still flashing, it’s likely the clogged condition is located in the vacuum motor fan. If so, please take your vacuum to an Authorized Riccar Retailer for service.



Lifetime Belt Protection Warranty (Models R10P and R17)

Your vacuum belt is covered with a lifetime warranty. Should the belt break, simply bring your vacuum to your Authorized Riccar Retailer for a free replacement.

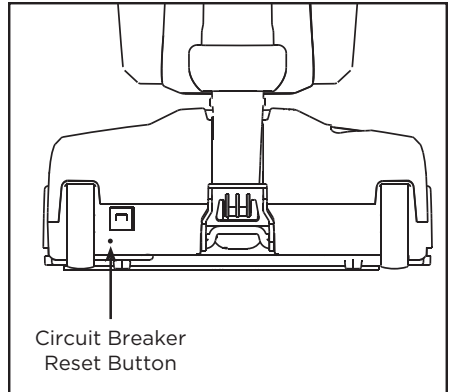
MAINTENANCE AND CARE

Resetting the Circuit Breaker (Model R10S)

WARNING! To Reduce the Risk of Electrical Shock or Injury From Moving Parts, Unplug Before Servicing or Cleaning.

Your vacuum features a circuit breaker to protect the machine against damage due to a surge in the electrical current. Electrical surging can be a result of, though not limited to, a jammed motor fan.

Should your vacuum cleaner experience a jammed brushroll with the circuit breaker tripping, first turn the vacuum off and unplug the unit. Inspect the brushroll by removing the bottom plate (see page 9) and remove any debris that may be causing the jam. Reinstall the bottom plate (see page 9) and reset the circuit breaker by pressing the Circuit Breaker Reset Button. Plug in the power cord and turn on the vacuum. If the vacuum fails to turn on, visit an Authorized Riccar Retailer for assistance.



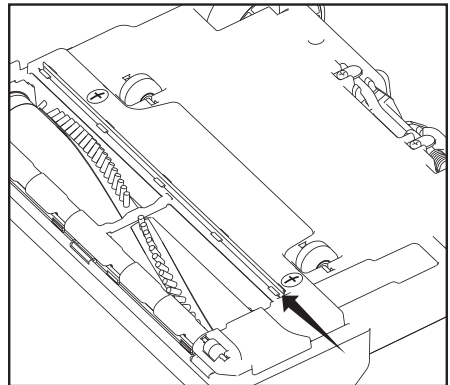
Replacing the Squeegee

If your squeegee splits or begins to look worn, simply slide the worn squeegee from its track and slide a new one into the track. If you have trouble installing the new squeegee, please visit an Authorized Riccar Retailer for help.

Annual Checkup

To keep your vacuum in peak operating condition, it is recommended you bring it to an Authorized Riccar Retailer for an annual checkup. The Retailer will conduct a comprehensive examination to ensure your vacuum is in top operating condition.

The R17 model includes 17 annual checkups at an authorized Riccar Retailer.



PROBLEM SOLVING GUIDE

Troubleshooting

WARNING! To reduce the risk of electrical shock or injury from moving parts, unplug the charger from the charge point and remove the battery before servicing or cleaning the vacuum.

CAUTION! To reduce the risk of electric shock, do not handle charger plug or appliance with wet hands.

| PROBLEM | CHECK POINT | POSSIBLE SOLUTION |
|-------------------------------------|-----------------------|--|
| Vacuum won't turn on | Power Cord | Plug cord in firmly |
| | House Fuse or Breaker | Check house fuse or breaker. Replace fuse/reset breaker. |
| | Needs Service | Take to an Authorized Riccar Vacuum Retailer. |
| Vacuum won't pick up or low suction | Vacuum Bag | Replace full bag |
| | Belt | Replace belt |
| | Brushroll | Replace brushroll |
| Dust escaping from vacuum | Vacuum Bag | Reinstall bag (page 8) |

Any other service should be performed by an Authorized Riccar Vacuum Retailer. To locate your nearest Authorized Retailer, visit our website at Riccar.com or call 888-674-2227.

Key Replacement Parts

- Genuine HEPA Media Vacuum Bags: RLH-6
- Genuine Vacuum Belts: ULW-B2

For Best Performance

- Keep your vacuum clean and in good operating condition.
- Change the vacuum bag once a month or when the bag is 2/3 full to maximize cleaning performance.
- Always use genuine Riccar vacuum bags and replacement parts. Use of other products may result in poor cleaning performance, potential vacuum cleaner damage and may void vacuum warranty. Genuine Riccar products are designed for maximum cleaning performance.
- Have your vacuum checked annually by your Authorized Riccar Retailer.
- Store your vacuum carefully in a dry area.
- For optimum cleaning performance and safety, follow these owner's manual instructions.

WARRANTY

What is Covered:

This warranty covers any defects in material and workmanship in your new vacuum and applies exclusively to the original purchaser.

How Long Coverage Lasts:

Warranty coverage for your R10S vacuum lasts four years. Warranty coverage for your R10P vacuum lasts five years. Warranty coverage for your R17 vacuum lasts seven years. Household models used commercially are only warranted for 90 days.

What is Not Covered:

- Damage to the vacuum which occurs from neglect, abuse, alterations, accident, misuse or improper maintenance.
- Normal replacement items: disposable bags, belts (model R10S only) and light bulbs.

What We Will Do:

This warranty provides, at no cost to you, all labor and parts to keep this vacuum in correct operating condition during the warranted period.

How to Get Service:

Warranty service can only be obtained by presenting the vacuum to an Authorized Riccar Retailer. A proof-of-purchase and product serial number will be required before service is rendered. To locate your nearest service center, please call 888-674-2227 or visit Riccar.com.

THIS WARRANTY IS EXCLUSIVE AND IN LIEU OF ANY AND ALL OTHER WARRANTIES WHETHER WRITTEN, ORAL, EXPRESSED OR IMPLIED, (INCLUDING ANY WARRANTY OF MERCHANTABILITY OR FITNESS FOR A PARTICULAR PURPOSE). THIS WARRANTY DISCLAIMS LIABILITY FOR INCIDENTAL OR CONSEQUENTIAL DAMAGES.

How State Law Applies:

This warranty gives you specific legal rights, and you may also have other rights which vary from state to state.

Owner's Warranty Information (keep this for your records)

Store name _____

Store Address _____ City _____ State _____ Zip _____

Telephone _____ Date of purchase _____

Serial number _____ Model number _____

Register your warranty online at **Riccar.com**

RICCAR®

Riccar.com
888-674-2227

1760 Gilsinn Lane
Fenton, MO 63026