



VELOCITY 160IR

COMPACT VAPOR GENERATOR IRON

FER À GÉNÉRATEUR DE VAPEUR COMPACT

PLANCHA COMPACTA A VAPOR

INSTRUCTION MANUAL

GUIDE D'UTILISATION

MANUAL DE INSTRUCCIONES

ENGLISH	01
FRANÇAIS	14
ESPAÑOL	27

THE VELOCITY ONE TEMP 160IR
DUAL VAPOR GENERATOR IRON
INSTRUCTION MANUAL
ENGLISH



**DO NOT RETURN TO STORE
CONTACT US FIRST**

For immediate help with your purchase, please give us a call so that we can resolve your issue.

We can be reached toll-free at **1-800-268-1649** or email **support@reliablecorporation.com**

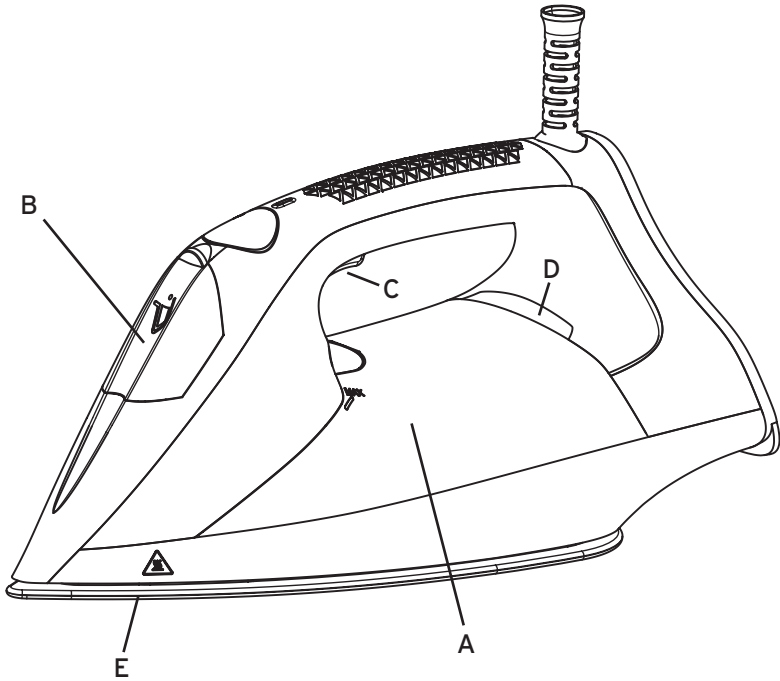
RELIABLE. RIGHT THERE WITH YOU.

At Reliable, we do what we love, and take pride in doing it right. You want what's best for the people, places and things that matter in your life - from where you live to what you wear. So do we. From the start, we approach every product with a craftsman's attention to detail and passion for making it right. Quality, functionality, design and customer service play an equally important part in delivering what's right for you. With our patented two heating element design, the Velocity One Temp generates and contains steam within the iron that can be released on demand.

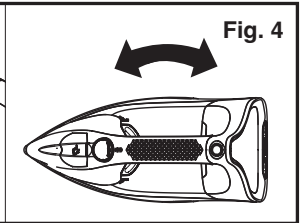
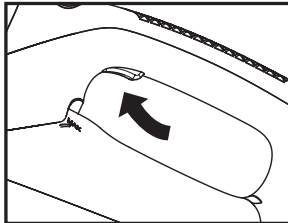
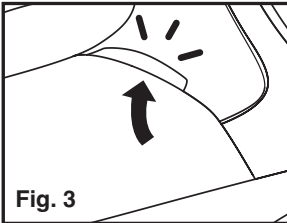
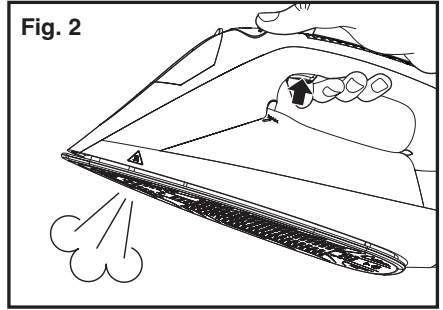
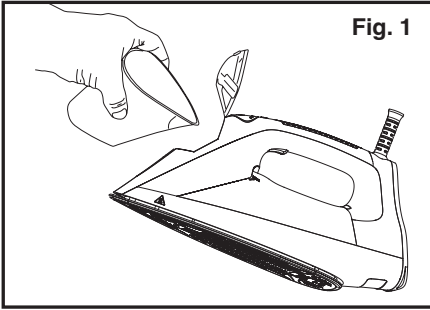
For your safety and to fully enjoy the advantages of this product, please take a few minutes to read all the important safeguards and care instructions. Keep this manual handy and review the product warranty for your reference.

THANK YOU FOR YOUR PURCHASE. PLEASE SHARE YOUR RELIABLE PRODUCT EXPERIENCE BY POSTING AN ONLINE REVIEW ON THE WEBSITE FROM WHICH YOU PURCHASED. WE GREATLY APPRECIATE IT!

VELOCITY 160IR KEY FEATURES



A. Water tank	D. Indicator lamps
B. Filling spout	E. Soleplate
C. Steam activation trigger	



IMPORTANT SAFETY INSTRUCTIONS

READ ALL INSTRUCTIONS BEFORE USE

When using your new iron, basic safety precautions should always be followed, including the following:

1. Use iron only for its intended use. For HOUSEHOLD USE ONLY.
2. To protect against a risk of electric shock, do not immerse the iron in water or other liquids.
3. The iron should always be turned to «Off» before plugging or unplugging from an outlet. Never yank the cord to disconnect from the outlet. Instead, grasp the plug and pull to disconnect.
4. Do not allow the cord to touch hot surfaces. Let the iron cool completely before putting away. Loop cord loosely around the iron when storing.
5. It is always recommended to disconnect the iron from the electrical outlet when filling with water or emptying. It should also be disconnected when not in use.
6. Do not operate the iron with a damaged cord or if the iron has been dropped or damaged. To avoid the risk of an electric shock, do not disassemble the iron. Take it to a qualified service depot for examination and repair. Incorrect reassembly can cause a risk of electric shock when the iron is used.
7. Close supervision is necessary for any appliance being used by or near children. Do not leave the iron unattended while connected or on an ironing board.
8. Burns can occur from touching hot metal parts, hot water, or steam. Use caution when you turn a steam iron upside down - there may be hot water in the reservoir.
9. To avoid a circuit overload, do not operate another high wattage appliance on the same circuit.
10. If an extension cord is absolutely necessary, a 15-amp cord should be used. Cords rated for less amperage may overheat. Care should be taken to arrange the cord so that it cannot be pulled or tripped over.
11. If the iron is not operating normally, disconnect it from the power supply and have it serviced by qualified service personnel.
12. The iron is not be used if it has been dropped, if there are visible signs of damage or if it is leaking.
13. Use caution when you turn on a steam iron upside down - there might be hot water in the reservoir
14. The 160IR should be used on a stable ironing surface.

15. Keep the 160IR in an upright position during storage, leaning on its heel part, set on a stable surface.
16. If the supply cord is damaged, it must be replaced by the manufacturer, one service agent authorized or a similarly qualified person in order to avoid a hazard.
17. Never leave the appliance unattended while it is connected to the mains supply.
18. This appliance can be used by children aged 8 year and above and persons with reduced physical, sensory or mental capabilities or lack of experience and knowledge only if they are supervised and have been instructed in the safe use of the appliance and understand the hazards involved.
19. This appliance is not a toy. Children should be supervised to ensure that they do not play with the appliance.
20. Do not tug on the power cord. Never use the power cord to lift, carry or unplug the appliance.
21. Check that the lid is closed properly before switching the appliance on.

SAVE THESE INSTRUCTIONS IN A SAFE PLACE FOR FUTURE REFERENCE

ATTENTION

- Before using your Velocity 160IR, remove all the paper or plastic bags, plastic sheets, cards and possible stickers that may be on the outside or inside of the appliance that acted as handling protection or sales promotion material. Remove the soleplate protector before using your 160IR.
- Read these instructions before first using your appliance.
- This manual is an integral part of the product. Please safeguard it for future reference.
- Do not plug it in without checking that the voltage of the appliance is the same as your home mains voltage.
- Take care that the cord does not touch the hot parts of the appliance.
- Check that the socket outlet has a suitable ground connection.
- To fill your 160IR or fill it while ironing, follow the instructions in the "BEFORE STARTING TO IRON" section on pages 7-8, unplugging it and using the beaker provided.
- Do not use your 160IR steam function without water in the tank as this may cause irreparable damage to the system.
- The appliance may emit a little smoke and a plastic smell during the first few minutes of use. This is normal and will disappear quickly.
- Do not spray "vertical" steam on a garment hanging in the wardrobe or on a person. Vertical ironing must be done with the garment on a hanger and away from other garments, elements or persons.
- When you finish ironing, always empty the water from the tank. If you want to drain it while ironing, always unplug the appliance from the mains first.
- To disconnect the 160IR, never pull on the power cord, take out the plug.
- The 160IR should not be used if it has been dropped or has a crack or is leaking.

WARRANTED FOR REGULAR HOUSEHOLD USE

Your Reliable iron is intended for and warranted only for normal household use. Your Reliable iron should not be used for more than 15 hours per week in approximately 3 hour intervals.

IMPORTANT SAFETY INSTRUCTIONS

READ ALL INSTRUCTIONS BEFORE USE

When using your new iron, basic safety precautions should always be followed, including the following:

- The appliance must be used and placed on a flat, stable surface.
- When the appliance is placed on its support, make sure that the surface on which it is placed is stable.
- Children must not clean or maintain the appliance unless supervised.
- Keep the appliance and its cord out of reach of children less than 8 years of age.
- Do not use the appliance if it has fallen on the floor, if there are visible signs of damage or if it has a leak.
- This symbol means that surface could get hot during the use.
- The temperature of the accessible surfaces may be high when the appliance is in use.
- If the connection to the mains has been damaged, it must be replaced, take the appliance to an authorised technical support service. To avoid hazards, do not attempt to disassemble or repair the appliance by yourself.
- Connect the appliance to an earthed socket rated at 16 amperes or more.
- The appliance's plug must fit into the mains socket properly. Do not alter the plug. Do not use plug adapters.
- Do not use or store the appliance outdoors.
- Do not leave the appliance out in the rain or exposed to moisture. If water gets into the appliance, this will increase the risk of electric shock.
- Do not wrap the power cord around the appliance.
- Do not clip or crease the power cord.
- Do not allow the power cord to hang or come into contact with the hot surfaces of the appliance.
- Check the state of the power cord. Damaged or tangled cables increase the risk of electric shock.
- Do not touch the plug with wet hands.
- Do not use the appliance if the cable or plug is damaged.
- If any of the appliance casings break, immediately disconnect the appliance from the mains to prevent the possibility of an electric shock.
- Do not touch the heated parts of the appliance, as it may cause serious burns.

IMPORTANT: When you want to dispose of the appliance, NEVER throw it in the garbage. Instead, go to your closest waste collection centre for subsequent treatment. In this way, you will be contributing to looking after the environment. Before disposing of your used appliance, you should make it visibly unserviceable and have it disposed of according to current national legislation. Ask your Distributor, Town Council or Local Authority for detailed information.

USE AND CARE

- Fully unroll the appliance's power cable before each use.
- Do not use the appliance if the parts or accessories are not properly fitted..
- Do not use the appliance if any of the switches do not work.
- Use the appliance handle, to pick it up or move it.
- Do not use the appliance if it has tipped over.
- Do not turn the appliance over while it is in use or connected to the main power supply.
- To keep the nonstick coating in good condition, do not use metal or pointed utensils on it.
- Disconnect the appliance from the mains when not in use and before undertaking any cleaning task.
- This appliance is for household use only, not professional, industrial use.
- Store this appliance out of reach of children and/or persons with physical, sensory or reduced mental or lack of experience and knowledge.
- Do not store or transport the appliance if it is still hot.
- Keeping the iron on its rest at maximum temperature for prolonged periods may cause discolouration, which does not affect the correct operation of the appliance.
- For a correct operation, keep the soleplate in good condition; do not iron over metal objects (metal ironing board parts, buttons, zips, etc.)
- It is advisable to use distilled water, especially if the water in your area contains clay or if it is "hard" (containing heavy mineral deposits).
- Never leave the appliance connected and unattended if is not in use. This saves energy and prolongs the life of the appliance.
- Never rest the appliance on a surface while in use.
- Do not use the appliance on any part of the body of a person or animal.
- Do not use the appliance with pets or animals.
- Do not use the appliance to dry textiles of any kind.

SERVICE

- Make sure that the appliance is serviced only by specialist personnel, and that

only original spare parts or accessories are used to replace existing parts/ accessories.

- Any misuse or failure to follow the instructions for use renders the guarantee and the manufacturer's liability null and void.

MAIN COMPONENTS AND ACCESSORIES

A) Steam activation trigger

B) Indicator lamps

C) Filling spout

D) Soleplate

BEFORE STARTING TO IRON

- Make sure that all of the products' packaging has been removed.
- Some parts of the appliance have been lightly greased. Consequently, the first time the appliance is used a light smoke may be detected. After a short time, this smoke will disappear.
- Prepare the appliance according to the function you wish to use:

FILLING WITH WATER

- It is essential to have filled the tank with water to be able to work with steam.
- Open the cover.
- Fill the tank, taking care to observe the MAX Level (Fig.1)
- Close water inlet lid.
- Do not use any scented products in the water tank.

USE

- Unroll the cable completely before plugging it in.
- Connect the appliance to the main power supply.
- Once plugged in, the product will start to heat up, during this heating period, do not press the steam button, first wait for the pilot light to switch off.
- Wait until indicator (D) switches from flashing red to solid green, indicating that the appliance has reached operating temperature.
- During use of the appliance, indicator (D) will begin flashing red to indicate when it is using power and heating.

DRY IRONING

- The appliance has a steam control trigger (C) which, when set to off, allows dry ironing (without steam) or with steam depending on whether the trigger is pressed (Fig. 4).

STEAM IRONING

- It is possible to iron with steam whenever the tank is filled with water. Use the steam trigger to release steam when desired.

VERTICAL IRONING

- It is possible to iron hanging curtains, items of clothing on their own hanger, etc. To do so, follow these instructions:
- Iron from top to bottom.
- Important: for cotton and linen, it is recommended to put the base of the iron in contact with the material. For other more delicate fabrics, it is recommended to keep the base of the iron a few centimetres away.

ONCE YOU HAVE FINISHED USING THE APPLIANCE

- Unplug the appliance from the mains power supply.
- Drain the water out of the appliance.
- Clean the appliance.

CLEANING

- Disconnect the appliance from the mains and allow it to cool before undertaking any cleaning task.
- Clean the equipment with a damp cloth then dry.
- Do not use solvents, or products with an acid or base pH such as bleach, or abrasive products, for cleaning the appliance. Never submerge the appliance in water or any other liquid or place it under running water.

HOW TO DEAL WITH LIME SCALE INCRUSTATION

- For the appliance to work correctly it should be kept free of limescale or magnesium incrustations caused by the use of hard water.
- To avoid this kind of problem it is advisable to use distilled water.
- A specific anti-lime scale product should be used on this kind of product.
- Home-made solutions, such as the use of vinegar, are not recommended for descaling this appliance.

ANOMALIES AND REPAIR

Take the appliance to an authorised technical support service if product is damaged or other problems arise. Do not attempt to disassemble or repair the appliance yourself as this may be dangerous.



Reliable Corporation ("Reliable") warrants to original purchaser of its products that every product sold by Reliable (a "Reliable Product") is free from defects in material and workmanship for a period of one year from the date of purchase if properly used and maintained. Subject to the conditions and limitations set forth below, Reliable will either repair or replace any part of a Reliable Product that proves defective by reason of improper workmanship or materials. If the defective Reliable Product is no longer available and cannot be repaired effectively or replaced with an identical model, Reliable shall replace the defective Reliable Product with a current Reliable Product of equal or greater value. Repaired parts or replacement products will be provided by Reliable on an exchange basis, and will be either new or refurbished to be functionally equivalent to new. If Reliable is unable to repair or replace a Reliable Product, it will refund the current value of that Reliable Product at the time the warranty claim is made.

This limited warranty does not cover any damage to a Reliable Product that results from improper installation, accident, abuse, misuse, natural disaster, insufficient or excessive electrical supply, abnormal mechanical or environmental conditions, wear and tear resulting from normal use of the product, or any unauthorized disassembly, repair, or modification. This limited warranty does not extend to any indirect, consequential or incidental damages that may be suffered by a user or from the use of a Reliable Product, including without limitation, any liability for third party claims for damage, and is limited to the amount paid by the original purchaser Reliable Product with respect to which this limited warranty protection applies. This limited warranty does not apply with respect to products that have been altered or which are missing serial numbers or for products not purchased directly from Reliable or a dealer authorized by us to sell Reliable Products.

This limited warranty is the only warranty that applies to any Reliable Product, supersedes any and all terms that may be contained in any other document or purchase order and may not be altered or amended except expressly in writing by Reliable.

To obtain a repair or replacement under the terms of this warranty, please contact our customer service group at 1-800-268-1649 or at support@reliablecorporation.com. You will be required to submit an original receipt via fax or e-mail. The receipt must reflect that you are the original purchaser, the product was bought directly from us or from an authorized Reliable dealer and that the warranty claim is being made within the warranty period. You will be issued a return authorization number (RA#) and asked to ship the defective product together with proof of purchase and RA#, prepaid insured to the following address:

Reliable Corporation, 5-100 Wingold Avenue, Toronto, ON M6B 4K7. Freight collect shipments will be refused. The risk of loss or damage in transit will be borne by the customer. Once Reliable receives the defective product, it will initiate the repair or replacement process.

If you have any questions regarding this warranty, you may write to:

Reliable Corporation
100 Wingold Avenue, Unit 5
Toronto, Ontario
Canada M6B 4K7
www.reliablecorporation.com

LE VELOCITY ONE TEMP 160IR
FER À REPASSER À DOUBLE
GÉNÉRATEUR DE VAPEUR
GUIDE D'UTILISATION
FRANÇAIS



**NE PAS RETOURNER
AU MAGASIN
CONTACTEZ-NOUS EN PREMIER**

Pour obtenir une aide immédiate lors de votre achat, appelez-nous afin que nous puissions résoudre votre problème.

Vous pouvez nous joindre au **1-800-268-1649** ou par courriel **support@reliablecorporation.com**

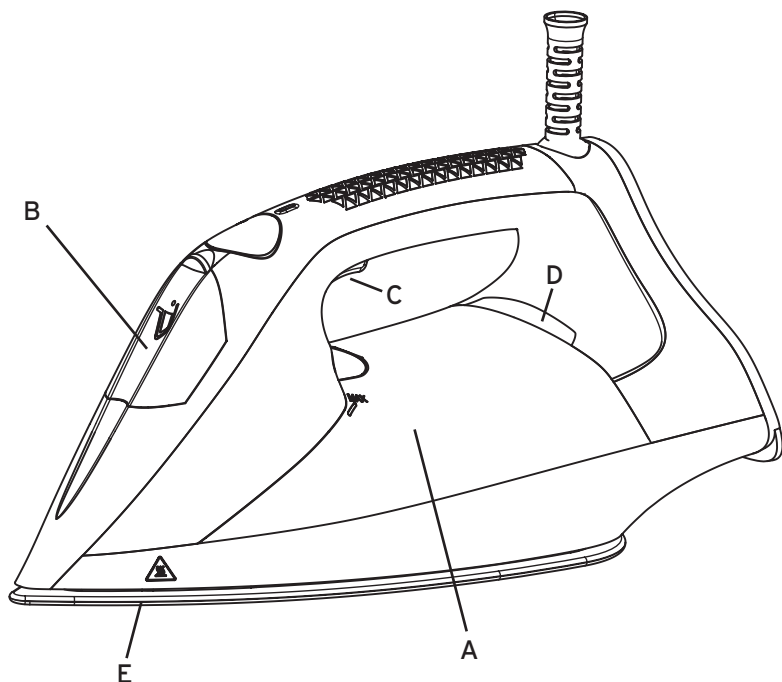
RELIABLE. VOTRE PARTENAIRE EN TOUTES CIRCONSTANCES.

Chez Reliable, nous sommes passionnés par notre métier et éprouvons de la fierté à l'exercer dans les règles de l'art. De l'endroit où vous vivez à ce que vous portez, vous voulez le meilleur pour les personnes, les endroits et les choses qui comptent dans votre vie. Et bien figurez-vous que nous aussi! Dès le début, nous étudions chaque produit avec le souci scrupuleux du détail et la passion du travail bien fait. Qualité, fonctionnalité, conception et service à la clientèle sont autant d'avantages, tous aussi importants, que nous vous offrons pour vous donner satisfaction. Grâce à sa conception brevetée à deux éléments chauffants, le Velocity One Temp génère et retient de la vapeur dans le fer et la libère à la demande.

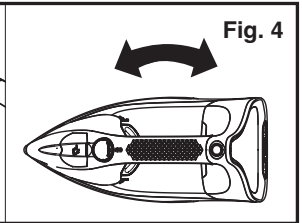
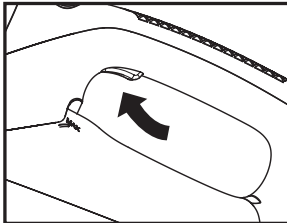
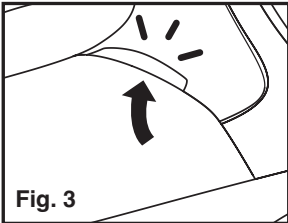
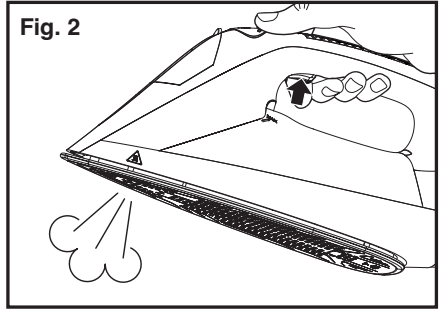
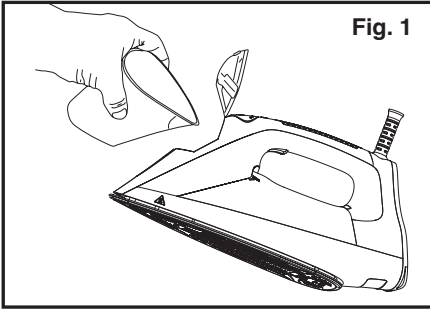
Pour votre sécurité et pour en tirer le meilleur parti, veuillez prendre quelques minutes pour lire toutes les importantes mesures de protection et les instructions d'entretien. Conservez ce manuel à portée de main et consultez la garantie du produit à titre de référence.

MERCI DE VOTRE ACHAT. VEUILLEZ PARTAGER VOTRE EXPÉRIENCE DE PRODUIT RELIABLE EN PUBLIANT UN COMMENTAIRE EN LIGNE SUR LE SITE WEB SUR LEQUEL VOUS AVEZ ACHETÉ LE PRODUIT. NOUS VOUS EN SOMMES TRÈS RECONNAISSANTS!

PRINCIPALES CARACTÉRISTIQUES DU VELOCITY 160IR



A. Réservoir d'eau	D. Voyants lumineux
B. Bec de remplissage	E. Semelle
C. Activation de la vapeur	



CONSIGNES DE SÉCURITÉ IMPORTANTES

VEUILLEZ LIRE TOUTES LES INSTRUCTIONS AVANT UTILISATION

Lors de l'utilisation de votre nouveau fer à repasser, vous devez toujours prendre les précautions de sécurité de base suivantes :

1. N'utilisez le fer que pour l'usage auquel il est destiné. DESTINÉ EXCLUSIVEMENT À UN USAGE DOMESTIQUE.
2. Pour éviter tout risque d'électrocution, ne plongez jamais le fer à repasser dans l'eau ou dans d'autres liquides.
3. Évitez tout contact du cordon avec des surfaces chaudes. Laissez le fer à repasser refroidir complètement avant de le ranger. Enroulez le cordon sans serrer autour du fer à repasser pour le ranger.
4. Débranchez toujours le fer à repasser de la prise de courant avant de le remplir d'eau ou de le vider. Il ne doit pas rester branché quand il n'est pas utilisé.
5. Le fer à repasser ne doit pas être utilisé s'il est tombé ou s'il est endommagé, ou si le cordon d'alimentation est endommagé. Pour éviter tout risque d'électrocution, ne démontez jamais le fer à repasser. Emmenez-le chez un réparateur qualifié pour le faire vérifier et réparer. Si le fer à repasser n'est pas correctement remonté, il y a un risque d'électrocution lors de son utilisation.
6. Ne jamais laisser les enfants utiliser un appareil électrique ou être à proximité sans surveillance. Ne laissez pas le fer à repasser sans surveillance lorsqu'il est branché ou sur une planche à repasser.
7. Risque de brûlure par contact avec des pièces métalliques chaudes, de l'eau chaude ou de la vapeur. Soyez prudent lorsque vous retournez un fer à repasser à vapeur – il peut y avoir de l'eau chaude dans le réservoir.
8. Pour éviter un court-circuit, ne branchez pas un autre appareil à forte puissance sur la même prise de courant.
9. Si une rallonge électrique est indispensable, le cordon d'alimentation doit avoir une intensité de 15 ampères. Les cordons ayant un ampérage plus faible peuvent surchauffer. Le cordon d'alimentation doit être disposé de façon à ce qu'il ne puisse pas être tiré ou faire trébucher une personne.
10. Si le fer à repasser ne fonctionne pas normalement, débranchez-le et faites-le réparer par un technicien qualifié.
11. Le fer à repasser ne doit pas être utilisé après une chute, s'il y a des dommages visibles ou s'il fuit.
12. Soyez prudent lorsque vous retournez un fer à repasser à vapeur – il pourrait y avoir de l'eau chaude dans le réservoir.

13. Le 16OIR doit être utilisé sur une surface de repassage stable.
14. Rangez le 16OIR en position verticale, sur son talon, sur une surface stable.
15. Si le cordon d'alimentation est endommagé, il doit être remplacé par le fabricant,
un technicien agréé ou une personne qualifiée afin d'éviter tout risque.
16. Ne laissez jamais l'appareil sans surveillance lorsqu'il est branché.
17. Cet appareil peut être utilisé par des enfants âgés de 8 ans et plus, des personnes manquant d'expérience et de connaissances ou dont les capacités physiques, sensorielles ou mentales sont réduites, s'ils ont été formés et encadrés quant à l'utilisation de l'appareil d'une manière sûre et connaissent les risques encourus.
18. Cet appareil n'est pas un jouet Il est nécessaire de surveiller les enfants pour veiller à qu'ils ne jouent pas avec l'appareil.
19. Ne tirez pas sur le cordon d'alimentation. N'utilisez jamais le cordon d'alimentation pour soulever, transporter ou débrancher l'appareil.
20. Vérifiez que le couvercle est bien fermé avant de mettre l'appareil en marche.

CONSERVEZ CES INSTRUCTIONS POUR POUVOIR LES CONSULTER EN CAS DE BESOIN

ATTENTION

- Avant d'utiliser votre Velocity 160IR, retirez tous les emballages en papier ou en plastique, les films plastiques, les cartes et les autocollants qui pourraient se trouver à l'intérieur ou à l'extérieur de l'appareil et qui ont servi de protection ou de matériel promotionnel. Retirez la protection de la semelle avant d'utiliser votre 160IR.
- Lisez ces instructions avant d'utiliser votre appareil pour la première fois.
- Ce manuel fait partie intégrante du produit. Veuillez le conserver pour pouvoir vous y référer plus tard.
- Avant de le brancher, vérifiez que la tension de l'appareil est la même que celle de votre réseau domestique.
- Veillez à ce que le cordon n'entre pas en contact avec les parties chaudes de l'appareil.
- Veillez à ce que la prise de courant dispose d'une mise à la terre appropriée.
- Pour remplir votre 160IR ou le remplir pendant le repassage, suivez les instructions de la rubrique « AVANT DE COMMENCER À REPASSER » aux pages 7-8, débranchez-le et utilisez le béccher fourni.
- Veillez à ce qu'il y ait de l'eau dans le réservoir avant d'utiliser la fonction vapeur 160IR, pour ne pas endommager irrémédiablement l'appareil.
- L'appareil peut dégager un peu de fumée et une odeur de plastique pendant les premières minutes d'utilisation. C'est normal et cela disparaîtra rapidement.
- Ne pas vaporiser la vapeur « verticalement » sur un vêtement suspendu dans l'armoire ou pendant qu'il est porté par une personne. Le repassage vertical doit se faire avec le vêtement sur un cintre et loin des autres vêtements, d'objets ou de personnes.
- Une fois le repassage terminé, videz toujours l'eau du réservoir. Si vous souhaitez le vider pendant le repassage, débranchez toujours l'appareil de la prise de courant avant.
- Ne tirez jamais sur le cordon d'alimentation pour débrancher le 160IR, retirez la prise.
- Ne pas utiliser le 160IR s'il est tombé ou s'il est fissuré ou s'il fuit.

GARANTIE POUR UN USAGE DOMESTIQUE NORMAL.

Votre fer à repasser Reliable est destiné et garanti uniquement pour un usage domestique normal. Votre fer Reliable ne doit pas être utilisé plus de 15 heures par semaine et par intervalles d'environ trois heures.

CONSIGNES DE SÉCURITÉ IMPORTANTES

VEUILLEZ LIRE TOUTES LES INSTRUCTIONS AVANT UTILISATION

Lors de l'utilisation de votre nouveau fer à repasser, vous devez toujours prendre les précautions de sécurité de base suivantes :

- L'appareil doit être utilisé et posé sur une surface plane et stable.
- Lorsque vous posez le fer sur son repose-fer, assurez-vous que la surface sur laquelle vous le posez est stable.
- Les enfants ne doivent pas procéder au nettoyage ou à l'entretien de l'appareil sans surveillance.
- Tenir l'appareil et son cordon hors de la portée des enfants de moins de 8 ans.
- Le fer à repasser ne doit pas être utilisé après une chute, s'il y a des dommages visibles ou s'il fuit.
- Ce symbole signifie que la surface peut devenir chaude pendant l'utilisation.
- La température des surfaces accessibles peut être élevée lorsque l'appareil est utilisé.
- Si le raccordement au courant est endommagé, il doit être remplacé et l'appareil doit être confié à un service d'assistance technique agréé. N'essayez jamais de démonter ou de réparer l'appareil vous-même afin d'éviter tout danger.
- Brancher l'appareil à une prise de courant de 16 ampères ou plus reliée à la terre.
- La fiche de l'appareil doit s'insérer correctement dans la prise de courant. Ne pas modifier la fiche. N'utilisez pas d'adaptateurs de prise.
- Ne pas utiliser ou ranger l'appareil à l'extérieur.
- Ne laissez pas l'appareil dehors sous la pluie ou exposé à l'humidité. Si de l'eau pénètre dans l'appareil, cela augmente le risque d'électrocution.
- N'enroulez pas le cordon d'alimentation autour de l'appareil
- Ne pas couper ou pincer le cordon d'alimentation.
- Ne pas laisser le cordon d'alimentation pendre ou entrer en contact avec les surfaces chaudes de l'appareil.

- Vérifiez l'état du cordon d'alimentation. Les câbles endommagés ou emmêlés augmentent le risque d'électrocution.
- Ne jamais toucher la fiche avec les mains mouillées.
- Ne pas utiliser l'appareil si le câble ou la fiche sont endommagés.
- Si l'un des boîtiers de l'appareil se casse, débranchez immédiatement l'appareil pour éviter tout risque d'électrocution.
- Ne touchez pas les parties chaudes de l'appareil, sous peine de provoquer des brûlures graves.

IMPORTANT : Ne jetez JAMAIS l'appareil à la poubelle. Adressez-vous plutôt à votre centre de collecte des déchets le plus proche pour un recyclage ultérieur. Vous contribuez ainsi à la protection de l'environnement. Avant de vous débarrasser de votre appareil usagé, veillez à ce qu'il soit clairement inutilisable et jetez-le conformément à la législation nationale en vigueur. Renseignez-vous auprès de votre distributeur, du conseil municipal ou de l'autorité locale pour plus d'informations.

UTILISATION ET ENTRETIEN

- Déroulez complètement le câble d'alimentation de l'appareil avant chaque utilisation.
- Ne pas utiliser l'appareil si les pièces ou accessoires ne sont pas correctement montés...
- Ne pas utiliser l'appareil si l'un des interrupteurs ne fonctionne pas.
- Utilisez la poignée de l'appareil pour le soulever ou le déplacer.
- Ne pas utiliser l'appareil s'il a été renversé.
- Ne pas renverser l'appareil lorsqu'il est utilisé ou branché à la prise.
- Pour préserver le revêtement antiadhésif, ne pas utiliser d'outils métalliques ou pointus.
- Débranchez l'appareil de la prise lorsqu'il n'est pas utilisé et avant toute opération de nettoyage.
- Cet appareil est destiné exclusivement à un usage domestique et non à un usage industriel professionnel.
- Rangez cet appareil hors de la portée des enfants et des personnes ayant une déficience physique, sensorielle ou mentale, ou un manque d'expérience et de connaissances.
- Ne pas ranger ou transporter l'appareil s'il est encore chaud.
- Garder le fer à repasser sur son support à température maximale pendant de longues périodes peut causer une décoloration qui n'affecte pas le bon fonctionnement de l'appareil.

- Pour assurer un bon fonctionnement, garder la semelle en bon état; ne pas repasser sur des objets métalliques (pièces de planche à repasser en métal, boutons, fermetures éclair, etc.)
- Il est conseillé d'utiliser de l'eau distillée, surtout si l'eau de votre région contient de l'argile ou si elle est « dure » (contenant des dépôts minéraux lourds).
- Ne jamais laisser l'appareil branché et sans surveillance quand il n'est pas utilisé. Cela permet d'économiser de l'énergie et de prolonger la durée de vie de l'appareil.
- Ne jamais poser l'appareil sur une surface quand il est en cours d'utilisation.
- Ne pas utiliser l'appareil sur une partie du corps d'une personne ou d'un animal.
- Ne pas utiliser l'appareil avec des animaux de compagnie ou des animaux.
- Ne pas utiliser l'appareil pour sécher des tissus de quelque nature que ce soit.

ENTRETIEN

- Veillez à ce que l'appareil ne soit entretenu que par des techniciens spécialisés et que seuls des pièces de rechange ou accessoires d'origine soient utilisés pour remplacer les pièces ou accessoires existants.
- Toute mauvaise utilisation ou tout non-respect du mode d'emploi annule la garantie et la responsabilité du fabricant.

PRINCIPAUX COMPOSANTS ET ACCESSOIRES

A) Activation de la vapeur

B) Voyants lumineux

C) Bec de remplissage

D) Semelle

AVANT DE COMMENCER À REPASSER

- Veillez à ce que tous les emballages des produits aient été retirés.
- Certaines parties de l'appareil ont été légèrement lubrifiées. Il est donc possible que lors de la première utilisation de l'appareil, une légère fumée se dégage. Cette fumée disparaîtra rapidement.
- Préparez l'appareil pour la fonction que vous souhaitez utiliser :

REMP LISSEZ D'EAU

- Il est indispensable de remplir le réservoir d'eau pour pouvoir utiliser la vapeur.
- Ouvrez le couvercle.
- Remplissez le réservoir en veillant à respecter le niveau MAX (Fig. 1).
- Fermez le bouchon du réservoir d'eau.
- Ne mettez pas de produits parfumés dans le réservoir d'eau.

UTILISATION

- Déroulez complètement le câble avant de le brancher.
- Branchez l'appareil sur la prise secteur.
- Une fois branché, le produit commencera à chauffer, pendant cette période de chauffage, n'appuyez pas sur le bouton vapeur, attendez d'abord que la lampe témoin s'éteigne.
- Attendez que le voyant (D) passe du rouge clignotant au vert, indiquant que l'appareil a atteint la température de fonctionnement.
- Pendant l'utilisation de l'appareil, l'indicateur (D) commencera à clignoter en rouge pour indiquer qu'il utilise de l'électricité et chauffe.

REP ASSAGE À SEC

- L'appareil dispose d'une commande vapeur (C) qui, lorsqu'elle est désactivée, vous permet de repasser à sec (sans vapeur) et quand elle est activée d'utiliser la vapeur (Fig. 4).

REP ASSAGE À LA VAPEUR

- Chaque fois que le réservoir est rempli d'eau, vous pouvez repasser à la vapeur. Utilisez la gâchette à vapeur pour relâcher la vapeur quand vous le souhaitez.

REP ASSAGE VERTICAL

- Il est possible de repasser des rideaux suspendus, des vêtements sur leurs cintres, etc. Procédez comme suit :
- Repassez de haut en bas.
- Important : pour le coton et le lin, il est recommandé de mettre la base du fer en contact avec le matériau. Pour d'autres tissus plus délicats, il est recommandé de garder la base du fer à repasser à quelques centimètres de distance.

UNE FOIS QUE VOUS AVEZ TERMINÉ D'UTILISER L'APPAREIL

- Débranchez l'appareil de la prise électrique principale.
- Videz l'eau de l'appareil.
- Nettoyez l'appareil.

NETTOYAGE

- Débranchez l'appareil et laissez-le refroidir avant d'entreprendre toute opération de nettoyage.
- Nettoyez l'équipement avec un chiffon humide puis séchez-le.
- N'utilisez pas de solvants ou de produits ayant un pH acide ou basique tels que l'eau de Javel ou des produits abrasifs pour nettoyer l'appareil. Ne plongez jamais l'appareil dans l'eau ou tout autre liquide et ne le placez jamais sous l'eau courante.

COMMENT FAIRE FACE AUX DÉPÔTS DE CALCAIRE INCRUSTÉS

- Pour que l'appareil fonctionne correctement, il faut éviter les dépôts de calcaire ou d'incrustations de magnésium causés par l'utilisation d'eau dure.
- Pour éviter ce genre de problème, il est conseillé d'utiliser de l'eau distillée.
- Un produit anticalcaire spécifique doit être utilisé sur ce type de produit.
- Les solutions maison, comme le vinaigre, ne sont pas recommandées pour détartrer cet appareil.

ANOMALIES ET RÉPARATION

Si le produit est endommagé ou si tout autre problème se présente, faites appel à un service d'assistance technique agréé. N'essayez pas de démonter ou de réparer l'appareil vous-même, cela pourrait être dangereux.

Reliable Corporation (« Reliable ») garantit à l'acheteur original de ses produits que chaque produit vendu par Reliable (un « produit Reliable ») est exempt de défauts de matériaux et de fabrication pour une période d'un an à compter de la date d'achat s'il est utilisé et entretenu correctement. Sous réserve des conditions et limitations énoncées ci-dessous, Reliable réparera ou remplacera toute pièce d'un produit Reliable qui s'avère défectueuse en raison d'un défaut de fabrication ou de matériaux. Si le produit fiable défectueux n'est plus disponible et ne peut être réparé efficacement ou remplacé par un modèle identique, Reliable remplacera le produit Reliable défectueux par un produit Reliable actuel de valeur égale ou supérieure. Les pièces réparées ou les produits de remplacement seront fournis par Reliable sur une base d'échange, et seront soit neufs, soit remis à neuf pour être techniquement équivalents aux produits neufs. Si Reliable n'est pas en mesure de réparer ou de remplacer un produit Reliable, elle remboursera la valeur actuelle de ce produit Reliable au moment où la demande de garantie est faite.

Cette garantie limitée ne couvre pas les dommages à un produit Reliable résultant d'une mauvaise installation, d'un accident, d'un abus, d'une mauvaise utilisation, d'une catastrophe naturelle, d'une alimentation électrique insuffisante ou excessive, de conditions mécaniques ou environnementales anormales, de l'usure due à une utilisation normale du produit ou de tout démontage, réparation ou modification non conformes. Cette garantie limitée ne couvre pas les dommages indirects, consécutifs ou accessoires pouvant être subis par un utilisateur ou découlant de l'utilisation d'un produit Reliable, y compris, mais sans s'y limiter, toute responsabilité pour les réclamations de tiers pour dommages, et est limitée au montant payé par l'acheteur initial du produit Reliable pour lequel cette garantie limitée est applicable. Cette garantie limitée ne s'applique pas aux produits qui ont été modifiés ou dont les numéros de série sont manquants, ou aux produits qui ne sont pas achetés directement chez Reliable ou chez un revendeur agréé de produits Reliable.

Cette garantie limitée est la seule garantie qui s'applique à tout produit Reliable, elle a préséance sur toutes les conditions stipulées dans tout autre document ou bon de commande et ne peut être modifiée ou amendée que par écrit par Reliable.

Pour obtenir une réparation ou un remplacement en vertu de cette garantie, veuillez communiquer avec notre service à la clientèle au 1-800-268-1649 ou à support@reliablecorporation.com.

Vous devrez nous faire parvenir un reçu original par télécopieur ou par courriel. Le reçu doit indiquer que vous êtes l'acheteur initial, que le produit a été acheté directement chez nous ou auprès d'un revendeur Reliable agréé et que la réclamation est faite pendant la période de garantie. Un numéro d'autorisation de retour (AR) vous sera attribué et il vous sera demandé d'expédier le produit défectueux accompagné d'une preuve d'achat et d'une AR affranchie et assurée à l'adresse suivante :

Reliable Corporation, 5-100 Wingold Avenue, Toronto (Ontario) M6B 4K7. Les envois en port dû seront refusés. Tout risque de perte ou de dommage pendant le transport relèvera de la responsabilité

du client. Une fois que Reliable aura reçu le produit défectueux, elle lancera le processus de réparation ou de remplacement.

Si vous avez des questions concernant cette garantie, vous pouvez écrire à :

Reliable Corporation
100 Wingold Avenue, Unit 5
Toronto (Ontario)
Canada M6B 4K7
www.reliablecorporation.com

VELOCITY ONE TEMP 160IR
PLANCHA DUAL A VAPOR
MANUAL DE INSTRUCCIONES
ESPAÑOL



**NO DEVOLVER A LA TIENDA
CONTÁCTENOS PRIMERO**

Para obtener ayuda inmediata con su compra, llámenos para que podamos resolver su problema.

Nos puede contactar al 1-800-268-1649 o correo electrónico support@reliablecorporation.com

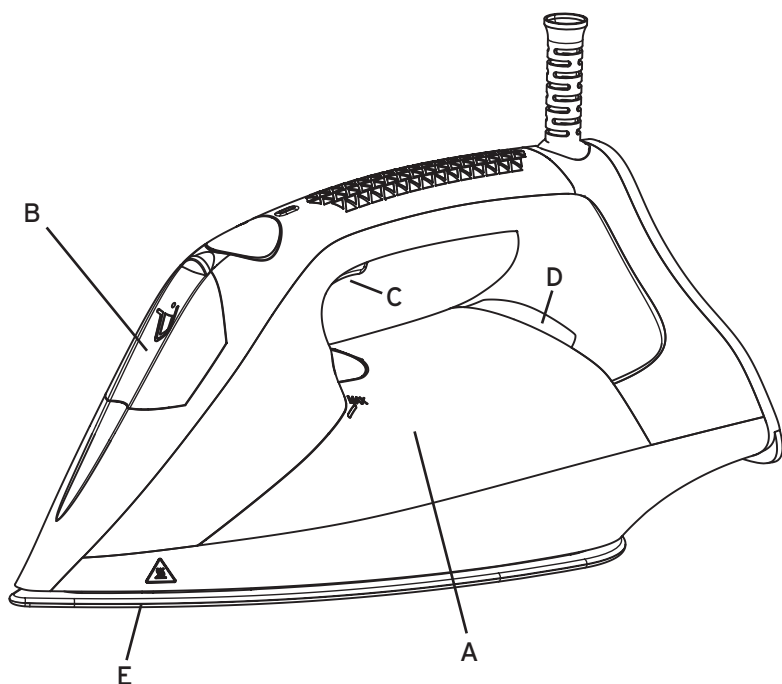
SOMOS CONFIABLES. ESTAMOS CUANDO NOS NECESITA.

En Reliable, hacemos lo que nos apasiona y nos enorgullece hacerlo bien. Uno quiere lo mejor para el otro, los lugares y las cosas que importan en la vida, desde el lugar donde se vive hasta la ropa que se viste. Nosotros, también. Desde el principio, abordamos cada producto con la atención de un artesano, enfocándonos en los detalles y con pasión por hacerlo bien. La calidad, la funcionalidad, el diseño y el servicio al cliente son una parte igualmente importante a la hora de ofrecerle el producto correcto para usted. Con nuestro diseño patentado de dos calentadores, la Velocity One Temp genera y contiene el vapor dentro de la plancha que se puede liberar según sea necesario.

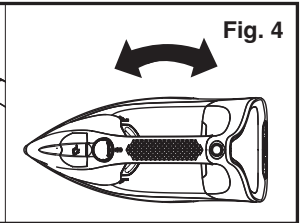
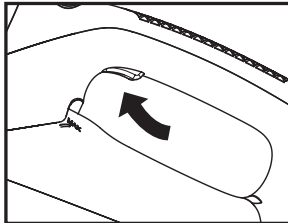
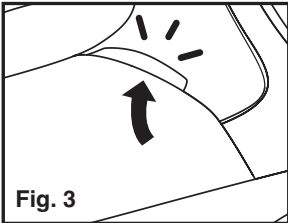
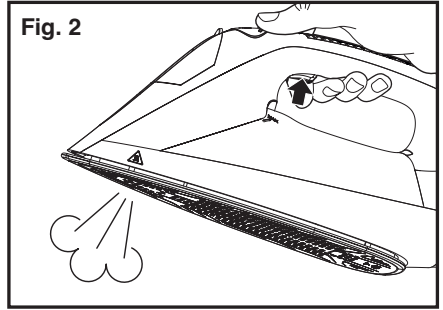
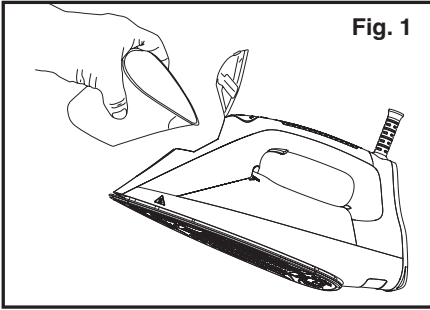
Para su seguridad y para disfrutar plenamente de las ventajas de este producto, tómese unos minutos para leer todas las advertencias y las instrucciones de mantenimiento importantes. Tenga este manual a mano y consulte la garantía del producto en caso de ser necesario.

GRACIAS POR SU COMPRA. COMPARTA SU EXPERIENCIA DEL PRODUCTO PUBLICANDO UNA RESEÑA EN LÍNEA EN EL SITIO WEB EN EL QUE REALIZÓ LA COMPRA. ¡SE LO AGRADECEMOS MUCHO!

CARACTERÍSTICAS CLAVE DE LA VELOCITY 160IR



A. Depósito de agua	D. Indicadores luminosos
B. Boquilla de llenado	E. Base
C. Gatillo de activación del vapor	



INSTRUCCIONES DE SEGURIDAD IMPORTANTES

LEA TODAS LAS INSTRUCCIONES ANTES DE USARLA

Al utilizar su nueva plancha, deberá seguir siempre las precauciones básicas de seguridad, entre las que se incluyen las siguientes:

1. Utilice la plancha solo para el uso previsto. SOLO PARA USAR EN EL HOGAR.
2. Para protegerse contra un riesgo de descarga eléctrica, no sumerja la plancha en agua u otros líquidos.
3. No permita que el cable entre en contacto con superficies calientes. Deje que la plancha se enfríe completamente antes de guardarla. Enrolle el cable sin ajustarlo mucho alrededor de la plancha cuando la guarde.
4. Se recomienda desconectar siempre la plancha de la toma de corriente cuando la llene con agua o la vacíe. También se la debe desconectar cuando no esté en uso.
5. No utilice la plancha si el cable está dañado o si la plancha se ha caído o está dañada. Para evitar el riesgo de una descarga eléctrica, no desarme la plancha. Llévela a un centro de servicio técnico calificado para que la puedan revisar y reparar. El reensamblaje incorrecto puede causar un riesgo de descarga eléctrica cuando se utilice la plancha.
6. Se requiere supervisión cercana de cualquier aparato que sea utilizado por niños o cerca de ellos. No deje la plancha sin supervisión mientras esté conectada o en una tabla de planchar.
7. Se pueden producir quemaduras al tocar las partes metálicas calientes, el agua caliente o el vapor. Tenga cuidado al dar vuelta una plancha de vapor, ya que puede haber agua caliente en el depósito.
8. Para evitar una sobrecarga eléctrica, no utilice otro aparato de alto vataje en el mismo circuito.
9. Si es absolutamente necesario un cable de extensión, deberá utilizar uno de 15 amperios. Los cables especificados para soportar un menor amperaje pueden sobrecalentarse. Debe tener cuidado al colocar el cable para no tironearlo ni tropezar con él.
10. Si la plancha no funciona con normalidad, desconéctela de la fuente de alimentación y llévela a reparar con el personal calificado del servicio técnico.
11. No se debe utilizar la plancha si se ha caído, si hay signos visibles de daño o si tiene una pérdida.
12. Tenga cuidado al dar vuelta una plancha de vapor, ya que puede haber agua caliente en el depósito

GUARDE ESTAS INSTRUCCIONES EN UN LUGAR SEGURO PARA FUTURAS REFERENCIAS

ATENCIÓN

- Antes de utilizar su plancha Velocity 160IR, retire todo el papel o las bolsas de plástico, las hojas de plástico, las tarjetas y las posibles etiquetas adhesivas que pueden estar en el exterior o en el interior del aparato, y que sirvieron como protección para la manipulación o como material promocional para las ventas. Retire el protector de la base antes de utilizar la 160IR.
- Lea estas instrucciones antes de utilizar su aparato por primera vez.
- Este manual es parte integral del producto. Guárdelo para futuras referencias.
- No conecte el aparato sin verificar que el voltaje sea el mismo que el voltaje de la red eléctrica de su hogar.
- Tenga cuidado de que el cable no entre en contacto con las partes calientes del aparato.
- Compruebe que la toma de corriente tenga una conexión a tierra adecuada.
- Para llenar su 160IR o llenarla mientras plancha, siga las instrucciones en la sección "ANTES DE EMPEZAR A PLANCHAR" en las páginas 7-8. Desenchúfela y utilice el recipiente provisto.
- No utilice la función de vapor de la 160IR sin agua en el depósito, ya que esto podría causar daños irreparables en el sistema.
- El aparato puede despedir un poco de humo y un olor a plástico durante los primeros minutos de uso. Esto es normal y se disipará rápidamente.
- No rocíe vapor "verticalmente" sobre una prenda colgada en el armario o sobre una persona. El planchado vertical debe realizarse con la prenda sobre un colgador y lejos de otras prendas, elementos o personas.
- La 160IR debe utilizarse en una superficie de planchado estable.
- Cuando termine de planchar, vacíe siempre el agua del depósito. Si desea vaciar el agua mientras plancha, desenchufe primero el aparato de la red eléctrica.
- Mantenga la 160IR en posición vertical durante el almacenamiento, apoyada sobre su base de reposo, en una superficie estable.
- Para desconectar la 160IR, nunca tire del cable de alimentación, desenchúfelo.
- Si el cable de alimentación está dañado, deberá reemplazarlo el fabricante, un agente de servicio autorizado o una persona igualmente calificada a fin de evitar cualquier peligro.
- No se debe utilizar la 160IR si se ha caído, tiene una grieta o una pérdida.

GARANTIZADO PARA USO NORMAL EN EL HOGAR

Su plancha Reliable está destinada y garantizada solo para el uso doméstico normal. No debe utilizar su plancha Reliable durante más de 15 horas por semana, en intervalos de aproximadamente 3 horas.

INSTRUCCIONES DE SEGURIDAD IMPORTANTES

LEA TODAS LAS INSTRUCCIONES ANTES DE USARLA

Al utilizar su nueva plancha, deberá seguir siempre las precauciones básicas de seguridad, entre las que se incluyen las siguientes:

- El aparato debe utilizarse y colocarse sobre una superficie plana y estable.
- Cuando el aparato se coloque en su soporte, asegúrese de que la superficie sobre la que se coloca sea estable.
- Nunca deje de supervisar el aparato mientras esté conectado a la red eléctrica.
- Este aparato puede ser utilizado por niños de 8 años en adelante y por personas con capacidades físicas, sensoriales o mentales reducidas, o por personas con falta de experiencia y conocimiento solo si son supervisadas y han recibido instrucciones sobre el uso seguro del aparato y comprenden los peligros involucrados.
- Los niños no deben limpiar o encargarse del mantenimiento del aparato a menos que se los supervise.
- Mantenga el aparato y su cable fuera del alcance de los niños menores de 8 años.
- Este aparato no es un juguete. Se debe supervisar a los niños para asegurarse de que no jueguen con el aparato.
- No utilice el aparato si se ha caído al suelo, si hay signos visibles de daños o si tiene una pérdida.
- Este símbolo significa que la superficie podría calentarse durante el uso.
- La temperatura de las superficies accesibles puede ser alta cuando el aparato está en uso.
- Si la conexión a la red eléctrica se ha dañado, debe reemplazarse. Lleve el aparato a un centro de servicio técnico autorizado. Para evitar peligros, no intente desensamblar o reparar el aparato usted mismo.
- Conecte el aparato a una toma de tierra con una capacidad nominal de 16 amperios o más.

- El enchufe del aparato debe encajar correctamente en la toma de corriente de la red eléctrica. No modifique el enchufe. Tampoco utilice adaptadores.
- No utilice ni almacene el aparato al aire libre.
- No deje el aparato bajo la lluvia o expuesto a la humedad. Si entra agua en el aparato, aumentará el riesgo de descarga eléctrica.
- No tire del cable de alimentación. Nunca utilice el cable de alimentación para levantar, transportar o desenchufar el aparato.
- No enrolle el cable de alimentación alrededor del aparato.
- No corte ni doble el cable de alimentación.
- No permita que el cable de alimentación cuelgue o entre en contacto con las superficies calientes del aparato.
- Compruebe el estado del cable de alimentación. Los cables dañados o enredados aumentan el riesgo de descarga eléctrica.
- No toque el enchufe con las manos mojadas.
- No utilice el aparato si el cable o el enchufe presentan daños.
- Si alguna de las carcasas del aparato se rompe, desconéctelo de inmediato de la red eléctrica para evitar la posibilidad de una descarga eléctrica.
- No toque las partes calientes del aparato, ya que pueden causar quemaduras graves.

IMPORTANTE: Si desea deshacerse del aparato, NO lo tire a la basura. En su lugar, diríjase al centro de recolección de desechos más cercano para un tratamiento posterior. De esta forma, contribuirá a cuidar el medioambiente. Antes de deshacerse de su aparato usado, debe dejarlo visiblemente inutilizable y desecharlo de acuerdo con la legislación nacional vigente. Solicite información detallada a su distribuidor, ayuntamiento o autoridad local.

USO Y CUIDADO

- Desenrolle completamente el cable de alimentación del aparato antes de cada uso.
- No utilice el aparato si las piezas o los accesorios no están bien ajustados.
- No utilice el aparato si alguno de los interruptores no funciona.
- Utilice el asa del aparato para levantarlo o moverlo.
- No utilice el aparato si se cayó.
- No dé vuelta el aparato mientras esté en uso o conectado a la fuente de alimentación principal.
- Para mantener el revestimiento antiadherente en buenas condiciones, no utilice utensilios metálicos o puntiagudos sobre él.

- Desconecte el aparato de la red eléctrica cuando no esté en uso y antes de realizar cualquier tarea de limpieza.
- Este aparato es solo para uso doméstico, no para uso profesional ni industrial.
- Almacene este aparato fuera del alcance de los niños o las personas con capacidades físicas, sensoriales o mentales reducidas, o con falta de experiencia y conocimiento.
- No almacene ni transporte el aparato si todavía está caliente.
- Mantener la plancha sobre la base de reposo a la temperatura máxima durante períodos prolongados puede causar decoloración, lo que no afecta el funcionamiento correcto del aparato.
- Para un funcionamiento correcto, mantenga la base en buenas condiciones; no planche sobre objetos metálicos (partes metálicas de tablas de planchar, botones, cremalleras, etc.).
- Es recomendable usar agua destilada, especialmente si el agua en su área contiene arcilla o si es "dura" (contiene depósitos minerales pesados).
- Compruebe que la tapa esté bien cerrada antes de encender el aparato.
- Nunca deje el aparato conectado y sin supervisión si no está en uso. Esto ahorra energía y prolonga la vida útil del aparato.
- Nunca apoye el aparato sobre una superficie mientras esté en uso.
- No utilice el aparato en ninguna parte del cuerpo de una persona o animal.
- No utilice el aparato en mascotas o animales.
- No utilice el aparato para secar textiles de ningún tipo.

SERVICIO

- Asegúrese de que solo el personal especializado repare el aparato, y que se usen únicamente piezas de repuesto o accesorios originales para reemplazar las piezas o los accesorios existentes.
- Cualquier utilización incorrecta o incumplimiento de las instrucciones de uso anulará la garantía y la responsabilidad del fabricante.

COMPONENTES Y ACCESORIOS PRINCIPALES

- A) Gatillo de activación del vapor
- B) Indicadores luminosos
- C) Boquilla de llenado
- D) Base

ANTES DE EMPEZAR A PLANCHAR

- Asegúrese de que se hayan quitado todos los empaques del producto.
- Algunas partes del aparato han sido engrasadas ligeramente. Como consecuencia, podrá percibir un humo ligero la primera vez que utilice el aparato. Después de un corto tiempo, el humo desaparecerá.
- Prepare el aparato según la función que desee utilizar:

LLENADO DE AGUA

- Es esencial haber llenado el depósito con agua para poder planchar con vapor.
- Abra la tapa.
- Llene el depósito teniendo en consideración el nivel MÁX. (Fig.1).
- Cierre la tapa de entrada de agua.
- No utilice productos perfumados en el depósito de agua.

USO

- Desenrolle el cable completamente antes de enchufarlo.
- Conecte el aparato a la fuente de alimentación principal.
- Una vez enchufado, el producto comenzará a calentarse. Durante este período de calentamiento, no presione el botón de vapor, primero espere a que la luz piloto se apague.
- Espere hasta que el indicador (D) cambie de rojo intermitente a verde sólido, lo que indica que el aparato ha alcanzado la temperatura de funcionamiento.
- Durante el uso del electrodoméstico, el indicador (D) comenzará a parpadear en rojo para indicar cuándo está utilizando energía y se está calentando.

PLANCHADO EN SECO

- El aparato tiene un gatillo para el control de vapor (C) que, cuando está apagado, permite el planchado en seco (sin vapor) o con vapor, dependiendo de si se presiona el gatillo (Fig. 4).

PLANCHADO CON VAPOR

- Es posible planchar con vapor siempre que el depósito esté lleno de agua. Utilice el gatillo para liberar el vapor cuando desee.

PLANCHADO VERTICAL

- Es posible planchar cortinas colgantes, prendas de vestir en su propio colgador y más. Para hacerlo, siga estas instrucciones:
- Planche desde arriba hacia abajo.
- Importante: para el algodón y el lino, se recomienda poner la base de la plancha en contacto con el material. Para otras telas más delicadas, se recomienda mantener la base de la plancha a unos centímetros de distancia.

CUANDO HAYA TERMINADO DE UTILIZAR EL APARATO

- Desenchufe el aparato del suministro de alimentación principal.
- Vacíe el agua del aparato.
- Limpie el aparato.

LIMPIEZA

- Desconecte el aparato de la red eléctrica y deje que se enfríe antes de realizar cualquier tarea de limpieza.
- Limpie el equipo con un paño húmedo y, luego, séquelo.
- Para limpiar el aparato, no utilice disolventes ni productos con un pH ácido o básico, como la lejía, o productos abrasivos. Nunca sumerja el aparato en agua u otro líquido, ni lo coloque bajo el agua corriente.

CÓMO TRATAR LAS INCRUSTACIONES DE CAL

- Para que el aparato funcione correctamente, deberá mantenerse libre de incrustaciones de cal o de magnesio causadas por el uso de agua dura.
- Para evitar este tipo de problemas es recomendable utilizar agua destilada.
- Se debe utilizar un producto específico para tratar las incrustaciones de cal en este tipo de producto.
- No se recomiendan las soluciones caseras, como el vinagre, para desincrustar el aparato.

ANOMALÍAS Y REPARACIÓN

Lleve el aparato a un centro de servicio técnico autorizado si el producto está dañado o si surgen otros problemas. No intente desensamblar o reparar el aparato usted mismo, ya que puede ser peligroso.

Reliable Corporation ("Reliable") garantiza al comprador original de sus productos que cada producto vendido por Reliable (un "Producto Reliable") está libre de defectos en materiales y acabados por un período de un año a partir de la fecha de compra si se usa y se mantiene correctamente. Sujeto a las condiciones y limitaciones que se detallan a continuación, Reliable reparará o reemplazará cualquier parte de un Producto Reliable que se compruebe que está defectuoso por motivos de acabado o materiales inadecuados. Si el Producto Reliable defectuoso ya no está disponible y no se puede reparar o reemplazar con un modelo idéntico, Reliable reemplazará el Producto Reliable defectuoso con un Producto Reliable actual de igual o mayor valor. Las piezas reparadas o los productos de reemplazo serán proporcionados por Reliable en una base de intercambio, y serán nuevos o reacondicionados para que sean funcionalmente equivalentes a nuevos. Si Reliable no puede reparar o reemplazar un Producto Reliable, reembolsará el valor actual de ese Producto Reliable en el momento en que se realice la reclamación de garantía.

Esta garantía limitada no cubre ningún daño a un Producto Reliable que resulte de una instalación inadecuada, accidente, abuso, uso indebido, desastre natural, suministro eléctrico insuficiente o excesivo, condiciones mecánicas o ambientales anormales, uso y desgaste propios del uso normal del producto, o cualquier desmontaje, reparación o modificación no autorizados. Esta garantía limitada no se extiende a ningún daño indirecto, consecuente o incidental que pueda sufrir un usuario por el uso de un Producto Reliable, lo que incluye sin limitación, cualquier responsabilidad por reclamaciones de terceros por daños, y se limita al monto pagado por el comprador original del Producto Reliable con respecto al cual se aplica esta protección de garantía limitada. Esta garantía limitada no se aplica a los productos que han sido alterados o a los que les faltan números de serie, o a los productos que no se han comprado directamente en Reliable o en un distribuidor autorizado por nosotros para vender los Productos Reliable.

Esta garantía limitada es la única garantía que se aplica a cualquier Producto Reliable, reemplaza cualquiera y todos los términos que puedan estar contenidos en cualquier otro documento u orden de compra, y no puede ser alterada o enmendada, excepto expresamente por escrito por Reliable.

Para obtener una reparación o reemplazo según los términos de esta garantía, comuníquese con nuestro grupo de servicio al cliente al 1-800-268-1649, o a support@reliablecorporation.com.

Se le pedirá que envíe un recibo original por fax o correo electrónico. El recibo debe reflejar que usted es el comprador original, que nos compró el producto directamente a nosotros o a un distribuidor Reliable autorizado, y que la reclamación de garantía se realiza dentro del período de garantía. Se le otorgará un número de autorización de devolución (N.º RA) y se le pedirá que envíe el producto defectuoso junto con el comprobante de compra y el seguro prepagado del N.º RA a la siguiente dirección:

Reliable Corporation, 5-100 Wingold Avenue, Toronto, ON M6B 4K7. Los envíos por cobrar serán rechazados. El riesgo de pérdida o de daño en tránsito correrá a cargo del cliente. Una vez que Reliable reciba el producto defectuoso, iniciará el proceso de reparación o de reemplazo.

Si tiene alguna pregunta sobre esta garantía, puede escribir a:

Reliable Corporation
100 Wingold Avenue, Unit 5
Toronto, Ontario
Canadá M6B 4K7
www.reliablecorporation.com

DID YOU KNOW?

**We supply thousands of dry
cleaners and major
department store alteration
shops with ironing stations
and ironing tables.**



RELIABLE

1 800 268 1649

www.reliablecorporation.com