

# New Equipment Warranty

## Limited Warranty

The manufacturer gives you the following limited warranty for this product if it was originally purchased for use, not resale, from BISSELL BigGreen Commercial or a BISSELL BigGreen Commercial-Authorized Retail Dealer.

The manufacturer will repair or replace, free of charge, to the original purchaser, any part which is found to be defective in material or workmanship within one (1) year of the date of purchase; five (5) years on the motor and gear box.

Drive belts, brushes, and other parts subject to normal wear are not covered by this limited warranty. This limited warranty does not apply to any part subjected to accident, abuse, or alteration, misuse, damage caused by fire or act of God, the use of voltages other than indicated on the serial number plate of this product or service of this product by other than a trained service technician.

The manufacturer does not authorize any person or representative to assume or grant any other warranty obligation with the sale of this product.

The manufacturer's limited warranty is valid only if you retain proof of purchase from BISSELL BigGreen Commercial or a BISSELL BigGreen Commercial-Authorized Retail Dealer for this product. If you purchase this product from any other source, your purchase is "AS IS," which means the manufacturer grants you no warranty, and that you, not the manufacturer, assume the entire risk of the quality and performance of this product, including the entire cost of any necessary servicing or repairs of any defects.

The manufacturer's liability for damages to you for any costs whatsoever arising out of this statement of limited warranty shall be limited to the amount paid for this product at the time of original purchase, and the manufacturer shall not be liable for any direct, indirect, consequential or incidental damages arising out of the use or inability to use this product.

Some states do not allow the exclusion or limitation of incidental or consequential damages, so the above limitation or exclusion may not apply to you.

ALL EXPRESS AND IMPLIED WARRANTIES FOR THIS PRODUCT, INCLUDING IMPLIED WARRANTIES OF MERCHANTABILITY AND FITNESS FOR A PARTICULAR PURPOSE, ARE LIMITED IN DURATION TO THE WARRANTY PERIOD, AND NO WARRANTIES, WHETHER EXPRESS OR IMPLIED, WILL APPLY AFTER THIS PERIOD.

Some states do not allow limitations on the duration of implied warranties, so the above limitation may not apply to you.

This warranty gives you specific legal rights, and you may also have other rights which vary from state to state.

**BISSELL®**  
BigGreen Commercial™

**BISSELL BigGreen Commercial**  
100 Armstrong Road | Suite 101 | Plymouth, MA 02360  
Phone: 800-242-1378 | Fax: 877-672-4566

[www.bissellcommercial.com](http://www.bissellcommercial.com)

**Make a copy of this card for future reference.**

2013 © BISSELL BigGreen Commercial. All rights reserved.

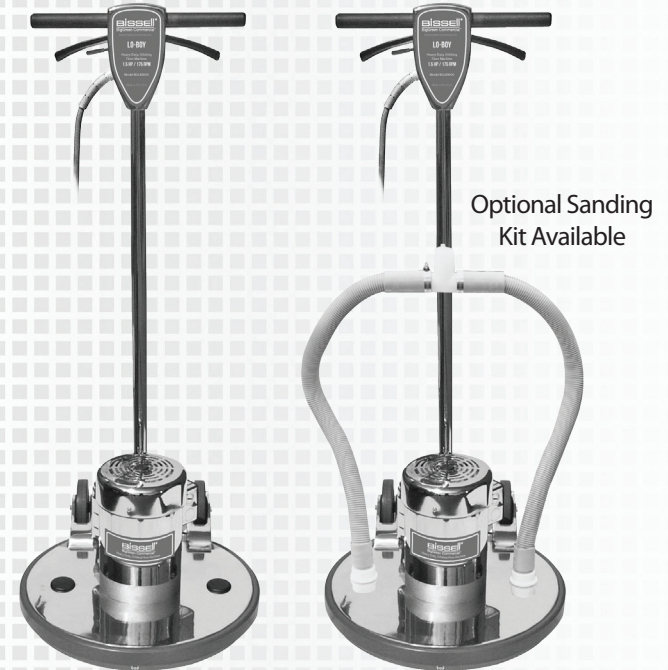
**LO-BOY BGLB9000 FLOOR MACHINE**

## SAFETY, OPERATION AND MAINTENANCE MANUAL WITH PARTS LIST

Please read before use!

**19" ORBITER FLOOR MACHINE**  
3/4 HP | 1725 OPM

REGISTER  
YOUR  
MACHINE!



19" Apron Sizes

Fully Adjustable

Balanced Design

All Metal Chassis

Quiet Motor

Safe & Easy to Use

**BISSELL®**  
BigGreen Commercial™

### IMPORTANT INFORMATION AND SAFETY INSTRUCTIONS

Register your Machine – Return your Warranty Registration Card!

Serial No: \_\_\_\_\_



**Dear Valued Customer,**

Congratulations on the purchase of your BISSELL BigGreen Commercial Lo-Boy BGLB9000 Orbiting Floor Machine! The world of floor care is becoming more high-tech and competitive and we strive to provide you with the most innovative products. Our Floor Machine is yet another example of this, bringing a new dimension to floor care and maintenance with its cutting-edge features, quality and value.

Please review this manual paying careful attention to the Safety Instructions section. Keep in mind that any unnecessary damage, neglect or abuse of this machine will void your warranty. You can be confident that simple maintenance will ensure that your Floor Machine provides quality performance for many years to come.

If warranty questions arise, please consult your manual or contact your distributor. Should you have any questions regarding maintenance, replacing parts or ordering parts, please call an authorized distributor.

Before you begin using your Floor Machine, thoroughly review the Owner's Manual.

Again, congratulations on the purchase of your BISSELL BigGreen Commercial Lo-Boy BGLB9000 Orbiting Floor Machine!

**Questions or Comments?**



**BISSELL BigGreen Commercial**  
100 Armstrong Road | Suite 101 | Plymouth, MA 02360  
Phone: 800-242-1378 | Fax: 877-672-4566

[www.bissellcommercial.com](http://www.bissellcommercial.com)



## Warranty Registration

**Please take a moment to register your machine. Fill out the information below and mail back to BISSELL BigGreen Commercial immediately.**

The warranty starts on the purchase date by the original purchaser, subject to proof of purchase. Please immediately register your machine by returning this Machine Registration Card at the time of purchase. If proof of purchase cannot be identified, the warranty start date is ninety (90) days after the inventory stocking date at the distributor's warehouse.

**Machine Model** \_\_\_\_\_ **Purchase Date** \_\_\_\_\_

**Motor Type** \_\_\_\_\_ **Serial No.** \_\_\_\_\_

**Place of Purchase** \_\_\_\_\_

**Shipped To** \_\_\_\_\_

**Your Name** \_\_\_\_\_ **Phone** \_\_\_\_\_

**E-mail** \_\_\_\_\_ **Fax** \_\_\_\_\_

**Address Line 1** \_\_\_\_\_

**Address Line 2** \_\_\_\_\_

**City** \_\_\_\_\_ **State** \_\_\_\_\_ **Zip** \_\_\_\_\_

**Comments:**

**Mail to:**  
BISSELL BigGreen Commercial  
100 Armstrong Road | Suite 101 | Plymouth, MA 02360

**See reverse side for warranty information.  
Make a copy of this card for future reference.**

2013 © BISSELL BigGreen Commercial. All rights reserved.

©2013 BISSELL BigGreen Commercial. All rights reserved. All word marks, logos, product configurations and registered trademarks are owned and used under the authority of BISSELL BigGreen Commercial.

# LO-BOY BGLB9000 FLOOR MACHINE

By BISSELL BigGreen Commercial

## Please fill out the following information:

Model No: \_\_\_\_\_

Serial No: \_\_\_\_\_

Distributor Name: \_\_\_\_\_

Distributor Phone No: \_\_\_\_\_

Date of Purchase: \_\_\_\_\_



**BISSELL BigGreen Commercial**

100 Armstrong Road | Suite 101 | Plymouth, MA 02360

Phone: 800-242-1378 | Fax: 877-672-4566

[www.bissellcommercial.com](http://www.bissellcommercial.com)

## Table of Contents

New Equipment Warranty.....	4
1.0 Safety Instructions .....	5
2.0 Grounding Instructions .....	6
3.0 Assembly Instructions.....	7
4.0 Operating Tips.....	8
5.0 Trouble Shooting Guide.....	10
6.0 Brush Construction .....	11
7.0 Pad Driver Construction .....	11
8.0 Brush and Pad Driver Filaments .....	12
9.0 Install the Sanding Kit Accessory .....	13
10.0 Flywheel Bearing Set Replacement.....	14
11.0 Handle Schematic Drawing .....	16
12.0 Handle Parts List.....	17
13.0 Machine Schematic Drawing.....	18
14.0 Machine Parts List .....	19
15.0 Wheel Plate Assembly with Bearing Parts List .....	19

## New Equipment Warranty

5-year warranty on motor and chassis. 1-year warranty on service labor.

## Limited Warranty

The manufacturer gives you the following limited warranty for this product if it was originally purchased for use, not resale, from BISSELL BigGreen Commercial or a BISSELL BigGreen Commercial-Authorized Retail Dealer.

The manufacturer will repair or replace, free of charge, to the original purchaser, any part which is found to be defective in material or workmanship within one (1) year of the date of purchase; five (5) years on the motor and gear box.

Drive belts, brushes, and other parts subject to normal wear are not covered by this limited warranty. This limited warranty does not apply to any part subjected to accident, abuse, or alteration, misuse, damage caused by fire or act of God, the use of voltages other than indicated on the serial number plate of this product or service of this product by other than a trained service technician.

The manufacturer does not authorize any person or representative to assume or grant any other warranty obligation with the sale of this product.

The manufacturer's limited warranty is valid only if you retain proof of purchase from BISSELL BigGreen Commercial or a BISSELL BigGreen Commercial-Authorized Retail Dealer for this product. If you purchase this product from any other source, your purchase is "AS IS," which means the manufacturer grants you no warranty, and that you, not the manufacturer, assume the entire risk of the quality and performance of this product, including the entire cost of any necessary servicing or repairs of any defects.

The manufacturer's liability for damages to you for any costs whatsoever arising out of this statement of limited warranty shall be limited to the amount paid for this product at the time of original purchase, and the manufacturer shall not be liable for any direct, indirect, consequential or incidental damages arising out of the use or inability to use this product.

Some states do not allow the exclusion or limitation of incidental or consequential damages, so the above limitation or exclusion may not apply to you.

ALL EXPRESS AND IMPLIED WARRANTIES FOR THIS PRODUCT, INCLUDING IMPLIED WARRANTIES OF MERCHANTABILITY AND FITNESS FOR A PARTICULAR PURPOSE, ARE

LIMITED IN DURATION TO THE WARRANTY PERIOD, AND NO WARRANTIES, WHETHER

EXPRESS OR IMPLIED, WILL APPLY AFTER THIS PERIOD.

Some states do not allow limitations on the duration of implied warranties, so the above limitation may not apply to you.

This warranty gives you specific legal rights, and you may also have other rights which vary from state to state.

©2013 BISSELL BigGreen Commercial. All rights reserved.

All word marks, logos, product configurations and registered trademarks are owned and used under the authority of BISSELL BigGreen Commercial.

**BISSELL**<sup>®</sup>  
BigGreen Commercial™

**BISSELL BigGreen Commercial**

100 Armstrong Road | Suite 101 | Plymouth, MA 02360

Phone: 800-242-1378 | Fax: 877-672-4566

[www.bissellcommercial.com](http://www.bissellcommercial.com)

## Notes:

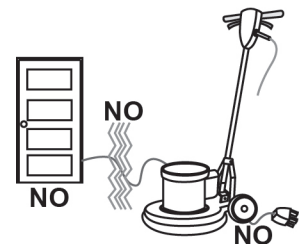
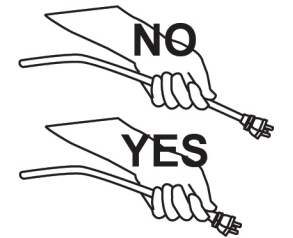
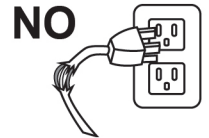
## 1.0 Safety Instructions

READ THIS MANUAL BEFORE OPERATING THE BISSELL BIGGREEN COMMERCIAL LO-BOY FLOOR MACHINE. KNOW THE PROPER OPERATION, SAFETY INSTRUCTIONS, CORRECT APPLICATIONS AND THE LIMITATIONS OF THIS EQUIPMENT **BEFORE USE**.

### Reduce the Risk of Fire, Electric Shock or Injury

DO NOT USE ON WET SURFACES. DO NOT EXPOSE TO RAIN. STORE INDOORS.

- The floor machine is designed for indoor use only. Do not use outdoors. Do not expose to rain.
- DO NOT wash the motor with flowing water. If the motor gets wet, seek authorized service.
- Keep the vents on the air-cooled motor free from debris. DO NOT operate with the motor covered or with vents blocked. DO NOT use this machine as a floor sander.
- Never operate the floor machine near flammable dusts, liquids or vapors. Never use flammable solvents as a cleaning agent. Engine sparks and operating heat can cause fire.
- Never handle electrical equipment with wet hands. Never operate this floor machine with bare feet.
- Unplug the floor machine when not in use and when servicing the equipment. To unplug, grasp the plug not the cord. Do not lift, pull or carry this floor machine by the cord.
- DO NOT operate the floor machine with damaged handle controls, cord or plug. If the equipment is not performing properly, seek repair from a qualified service supplier.
- This floor machine is constructed with electrical grounding at the plug. Operate only when connected to a properly grounded outlet. See section 2.0 for grounding details.
- Prevent electrical cord abuse. Do not close a door upon the cord, drive equipment over it, or run the floor machine over it. Do not expose the cord to hot surfaces. Do not lift, pull or carry this floor machine by the cord.
- Never operate the floor machine over sharp objects that can be thrown out and harm the operator and damage the floor. Sweep hard floors before scrubbing or buffing.
- Train your staff in proper use of this floor machine.



**WARNING – RISK OF EXPLOSION.** When using this machine as a floor sander, sanding can produce an explosive mixture of fine dust and air. Use any floor sanding machine only in a well ventilated area free from any flames or sparks. **WARNING OF POTENTIAL INJURY.** THIS MACHINE HAS MOVING PARTS – TO REDUCE RISK OF INJURY, UNPLUG BEFORE SERVICING.



## 2.0 Grounding Instructions

**DANGER: IMPROPER GROUNDING METHOD CAN RESULT IN A RISK OF ELECTRIC SHOCK.**

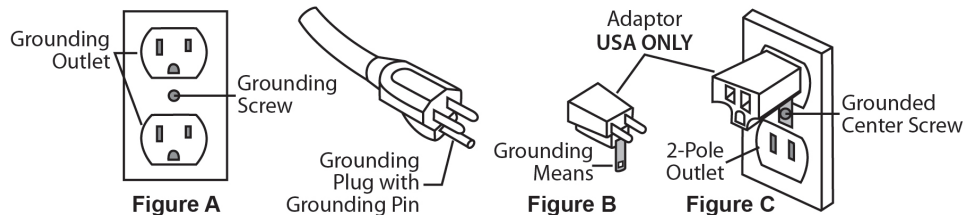
Electrical equipment must be grounded. If it should malfunction or breakdown, grounding provides a path of least resistance for electrical current and reduces the risk of electric shock. The vacuum is equipped with a cord containing a grounding conductor and grounding plug. The plug must be inserted into an appropriate outlet that is properly installed and grounded in accordance with all local codes and ordinances.

If repair or replacement of the cord or plug is necessary, **DO NOT** connect the grounded wire to a flat bed terminal. The green insulated wire, with or without yellow stripes, is the grounding wire.

The BISSELL BigGreen Commercial Lo-Boy Floor Machine operates on a 10.8 amp nominal 115V, 60 Hz, A.C. power circuit (motors may be custom wired at the factory 220V, 50 Hz international operation). The amp, hertz and voltage ratings are listed on the motor spec label found on each floor machine. Using voltages above or below those indicated on the spec label will damage the motor. Always check your local voltage requirements.

This floor machine is for use on a normal 120 volt circuit. It has a grounded plug that fits the outlet illustrated in Figure A. If a properly grounded outlet is not available, a temporary adapter, such as the adapter illustrated in Figure B and C, may be used to connect the plug into a 2-pole outlet, as shown in Figure C.

The temporary adapter should be used only until a properly grounded outlet, Figure A, can be installed by a qualified electrician. The green color rigid ear lug or grounding means extending from the adapter must be connected to a permanent ground, such as a properly grounded outlet box cover. Whenever the adapter is used, it must be held in place by its grounding means and a metal screw, as shown in Figure C.



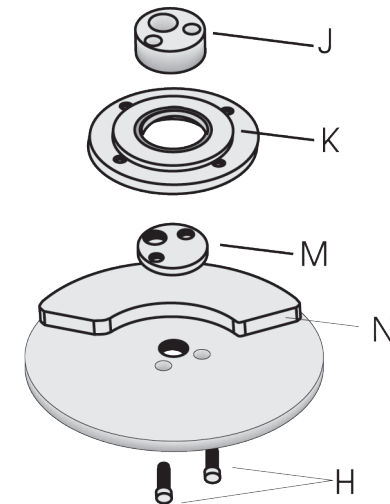
### WARNING:

Improper connection of the equipment grounding conductor can result in a risk of electric shock. Check with a qualified electrician or service person if you are in doubt as to whether the outlet is properly grounded. **DO NOT** modify the plug provided with the equipment. If it will not fit into the outlet, have a proper outlet installed by a qualified electrician.

The BISSELL BigGreen Commercial Lo-Boy is built with a 50 foot (15 M) safety cord which plugs directly into an approved outlet. Use of extension cords is **NOT RECOMMENDED**. **NOTE:** In Canada, the use of a temporary adapter is not permitted by the Canadian Electrical Code. This adaptor may not be used in Canada.

## 14.0 Machine Parts List

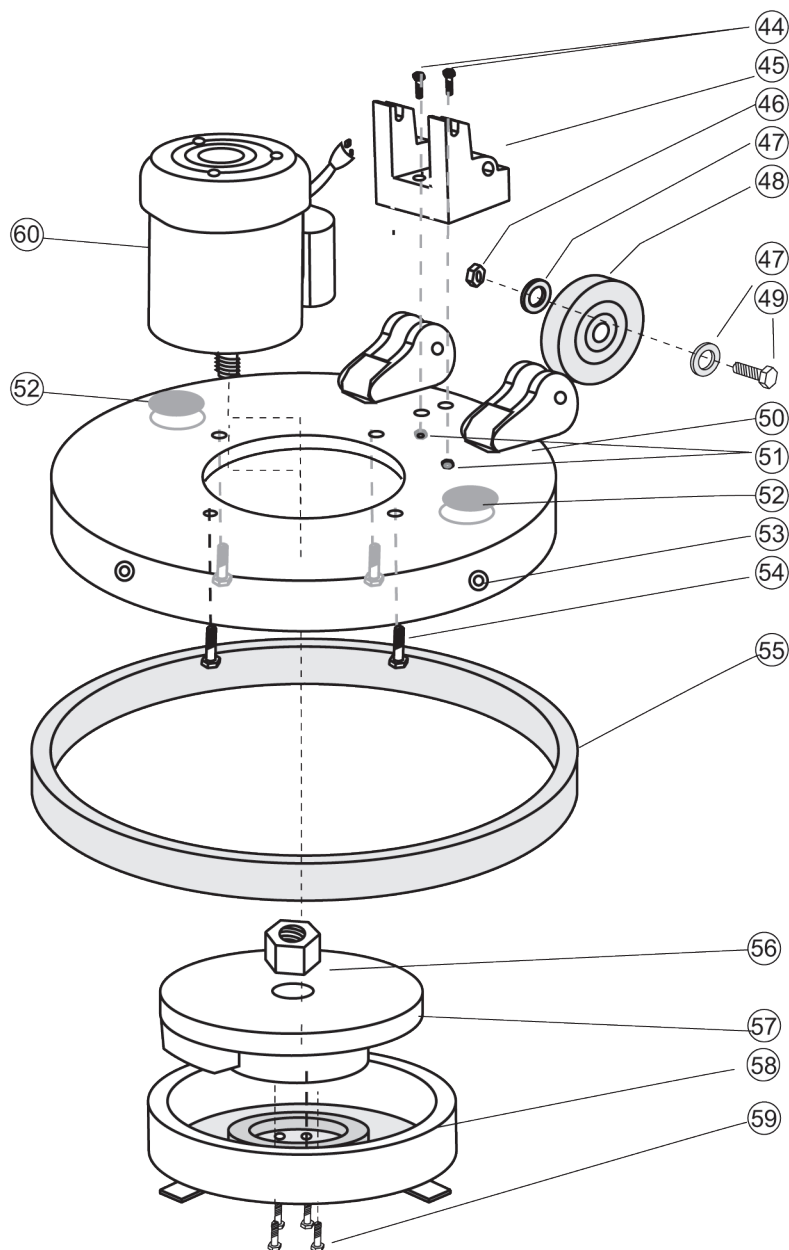
ITEM	DESCRIPTION	PART NO.	QTY.
44	Bolt - Handle Bracket Mounting	ME-B-22	2
45	Handle Bracket	ME-A-100	1
46	Axel Nut	ME-B-77	2
47	Nylon Washer	ME-O-48	4
48	5" Non-marking Wheels	ME-M-246	2
49	Axel	ME-B-76A	2
50	Apron Casting with Wheel Mounting Ears	ME-A-175	1
51	Nut for Bracket Bolt	ME-B-27	2
52	Cap Plugs	ME-O-205	2
53	Female Snap Riveted to Apron Casting	ME-O-23	5
54	Motor Bolt	ME-B-143	4
55	19" Bumper - Green	ME-M-232-19/G	1
56	Nut Jam	ME-O-03-0056601	1
57	Fly Wheel Plate	ME-O-53214-01	1
58	Pan Bottom Assembly (Drive Plug)	ME-O-09-53246-51	1
59	Screws for Pan Bottom Assembly	ME-O-03-00568	4
60	Motor BDP-C 3/4 HP	ME-MOTOR BDP/C	1



## 15.0 Wheel Plate Assembly with Bearing Parts List

ITEM	DESCRIPTION	PART NO.	QTY.
N	Flywheel Plate	O-53214-01	1
K	Retainer, Bearing and Ball Assembly	O-09-53266-01	1
M	Spacer - Orb	O-53163-01	1
J	Plug - Orb	O-53160	1
H	Hex Bolt - 1/4 x 20 x 3/4	O-03-00567-01	2

## 13.0 Machine Schematic Drawing



## 3.0 Assembly Instructions

### 3.1 Handle Installation

This machine handle (1) has been custom fit to its **mounting bracket (2)** at the factory and then taken apart for shipping. For easy assembly, make sure that the handle number on the tag (see right) matched the serial number stamped on the chassis.

You will need two 9/16" wrenches to complete the assembly:

#### 1. Handle Assembly

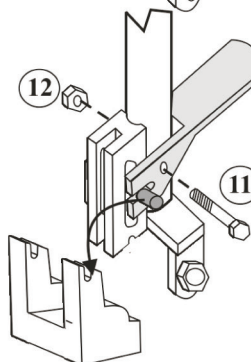
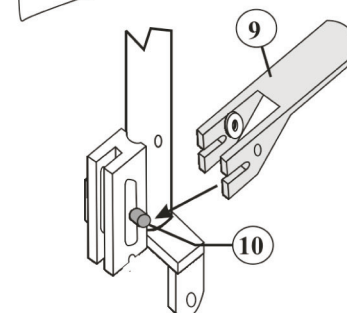
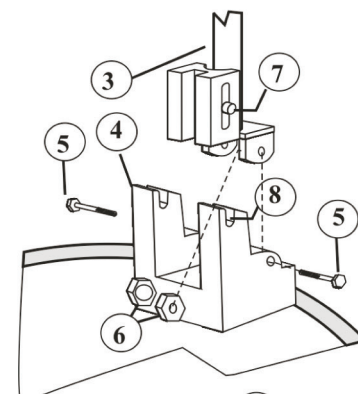
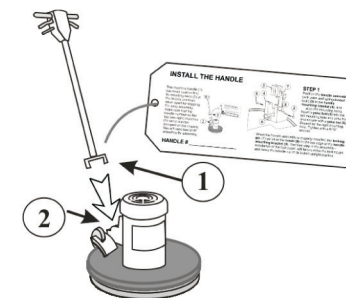
- Position the **handle assembly (with yoke and spring-loaded lock) (3)** in the **handle mounting bracket (4)**, and align the mounting holes. Insert a **yoke bolt (5)** into the left mounting hole and yoke hole and secure with a **yoke nut (6)**. Repeat for the right mounting hole. Tighten with 9/16" wrenches.
- When the handle assembly is properly installed, the **locking pin (7)** will sit in the **notch (8)** on the top edge of the **handle mounting bracket (4)**. The final step in the assembly - installation of the foot pedal - will let you raise the locking pin and move the handle out of its locked upright position.

#### 2. Install the Foot Pedal (9)

- Slide the **foot pedal (9)** onto the spring-loaded **locking pin (10)** on the handle lock. The pedal is constructed with nylon washers that will sit on both sides of the handle tube.
- Raise or lower the end of the foot pedal to line up the hole in the pedal with the hole on the side of the handle. Insert the pedal bolt (11) through the hole in the side of the pedal and through the hole in the handle. Secure with the **pedal bolt nut (12)**.

#### 3. Check Operation of the Foot Pedal

- When you push down on the foot pedal, the spring loaded pin will rise, letting the handle tip back. When you tip the handle forward to the vertical position, the pin will ride up the top edge of the handle bracket and fall into the locking notch on the top of the bracket.



## 3.0 Assembly Instructions Continued

### 3.2 Attach the Power Cord

The triple-wire grounded power cable has been factory-installed into the handle tube. Plug the male connector (1) coming out of the motor housing into the female connector (2) coming out of the end of the handle tube.

Next, plug the 50-foot long power cable into a grounded power outlet. Push the safety interlock switch forward and squeeze the triggers on the handle to check for power to the motor.

### 3.3 Brush or Pad Driver Installation

A brush or pad driver mounts over the 7.5" drive hub and is held onto the buffer with the 3 locking ears.

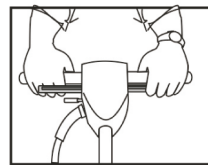
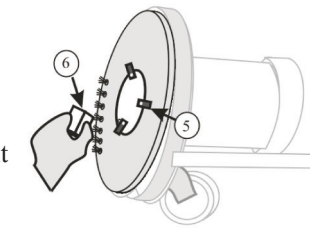
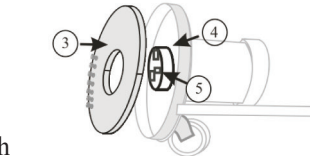
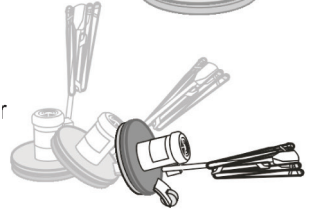
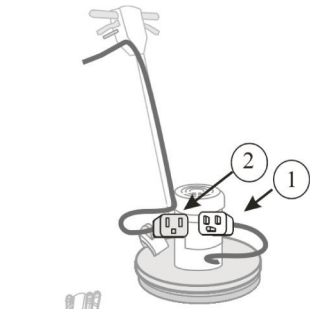
Lock the machine handle in the "up" position and tip the floor machine back fully.

Place the **locking key (6)** over each of the **locking ears (5)** and twist to move the ears toward the center of the drive hub.

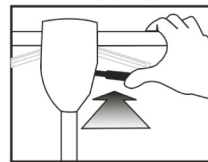
Mount the brush or **pad driver (3)** onto the **drive hub (4)**. Be sure that the **locking ears (5)** are out of the way. The fit will be tight and a little force may be required to fit the brush or pad all the way onto the hub.

Now, fit the **locking key (6)** over each of the **locking ears (5)** and twist to move each ear over the face of the brush block.

If you're using a pad driver, mount a pad over the driver. Tilt the floor machine upright. The floor Machine is ready for operation.



SQUEEZE BOTH TRIGGERS



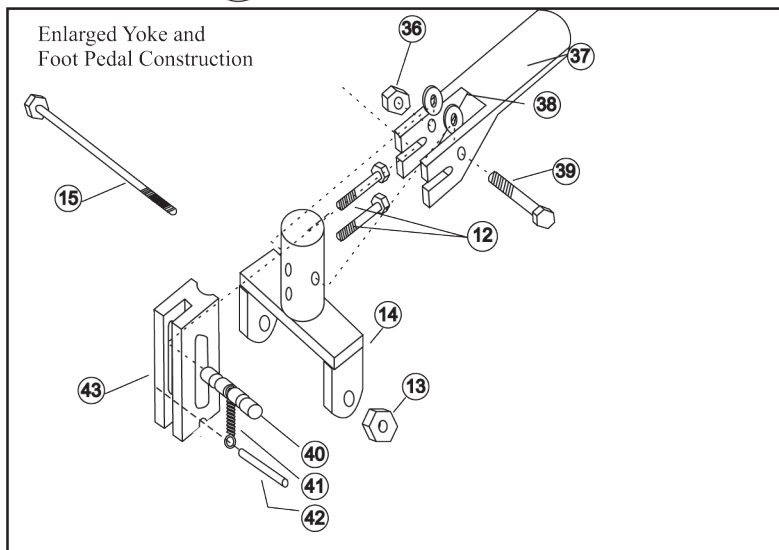
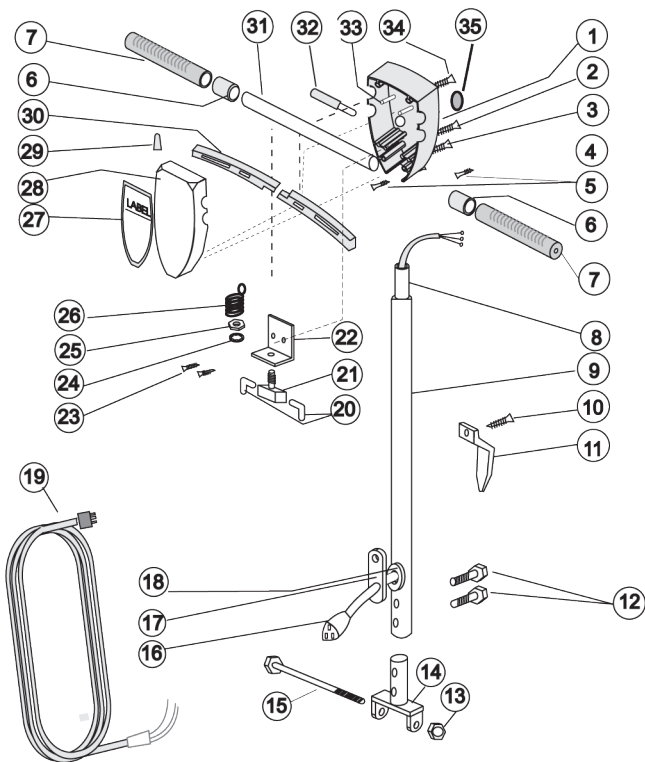
PUSH LOCK FORWARD

## 12.0 Handle Parts List

ITEM	DESCRIPTION	PART NO.	QTY.
1	Switchbox Back Cover	ME-A-104	1
2	Handle Tube Screw	ME-B-23	2
3	Switch Box Closing Screws	ME-B-21	4
4	Strain Relief Clip	ME-M-213	1
5	Switch Plate Screw	ME-B-68	2
6	Rubber Spacer - Black	ME-M-218B	2
7	Hand Grip	ME-M-218	2
8	Handle Tube Insert	ME-M-247	1
9	Handle Tube Assembly	ME-M-206	1
10	Cable Hook Screw	ME-B-2	2
11	Cable Hook	ME-A-164	1
12	Yoke Tube Mount Bolt	ME-B-18A	2
13	Yoke Nut	ME-B-10	1
14	Yoke	ME-A-1001A	1
15	Yoke Bolt	ME-B-14	1
16	Handle Tube Cable	ME-G-16	1
17	Black Rubber Cable Connector	ME-M-249	1
18	Cable Grommet	ME-B-63	1
19	50-Foot Cable 14/3 - Yellow	ME-14-50-Y	1
20	Insulated Flag Wire Connector	ME-G-48	5
21	On-off Switch And Plate Assembly	ME-G-30-AB	1
22	Switch Mounting Plate	ME-G-30-B	1
23	Ground Wire Screw	ME-B-1	2
24	Int. Tooth Lockwasher	ME-B-35	1
25	Flat Hex Nut	ME-B-33	1
26	Trigger Return Spring	ME-G-30-C-T057	1
27	Label - Switchbox		1
28	Switch Box Front	ME-A-103	1
29	Wire Nut	ME-G-47	1
30	Triggers	ME-A-105	2
31	16" Crossbar	ME-M-211-A	1
32	Safety Interlock Assembly	ME-SIA-1	1
33	Trigger Pins	ME-B-70	2
34	Cross Bar Screw	ME-B-22	2
35	Cap - Switchbox back	ME-O-205B	1
36	Acorn Nut to hold foot pedal to handle	ME-B-44	1
37	Foot Pedal	ME-C-305	1
38	Nylon Washer glued to foot pedal	ME-O-22	2
39	Axel to hold foot pedal to handle	ME-O-26	1
40	Large Milled Pin	ME-O-206	1
41	Block Spring	ME-C-306	1
42	Small Pin Under Block	ME-O-27	1
43	Aluminum Block	ME-C-300	1



## 11.0 Handle Schematic Drawing



## 4.0 Operating Tips Continued

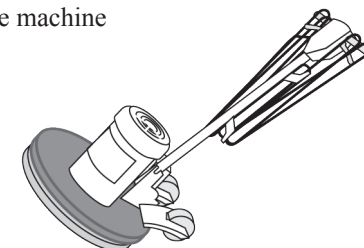
- For indoor use only. Sweep abrasive soils before scrubbing.
- While the brush or pad driver is spinning, keep the floor machine moving to avoid “donut” burns on the floor.

### To Start Operation Continued:

- Squeeze the dual triggers to release power to the motor. Once power is on, either trigger will keep power to the motor.
- To stop the BISSSELL BigGreen Commercial Lo-Boy Floor Machine, release both triggers.

### 4.1 To Store your Machine

- Lock the handle in the “up” position. Wind the cable around the handles and the bottom cable hook.
- Tilt the machine back and remove the pad driver or brush using a BISSSELL Big Green Commercial locking tool. Never store the floor machine standing on the brush.
- Wash brushes or pads and hang to dry. Never store machine standing on the brush.
- Check and clean pads after each operation. Remove soil and chemical buildup. Replace worn or damaged pads.
- Check the triggers and switches for proper operation.
- Repair or replace damaged skirts and dumpers.
- Use air pressure or vacuum to remove dust and debris from the motor vents.
- Inspect and maintain equipment on a regular schedule for best results. Report problems and repair promptly.



### 4.2 Transport

To transport this floor machine from the janitor’s closet to the work area:

- Lock the handle in the “up” position. Wind the cord around the handles and the bottom cord hook.
- Tip the machine back onto the transport wheels. Push or pull the machine by the handle, not by the cord or any other part of the machine. Travel carefully.

## 5.0 Troubleshooting Guide

Never operate this floor machine when the equipment is not performing as expected or when any part is visibly damaged. The cause and solution for some basic problems are described below. When repair is needed, take the equipment to an authorized repair service center.

### 5.1 Floor Machine will not Run

- Circuit breakers are tripped in the building. **Check and reset.**
- Equipment is unplugged. **Check plug wall and at machine base. Plug in.**
- Power cord failure. **Lock the handle up and tip the motor back. Unplug the cable at the motor and plug the motor into the working power cable.**

**IMPORTANT! THIS IS JUST FOR TESTING.** When you do this, you have removed the safety handle controls from the circuit and you are sending power directly to the motor. If the motor now spins, the problem is in the cord of the handle assembly. **Seek authorized repair service.**

- If the motor still does not spin, the problem is either in the male connection at the motor base or in the motor. **Seek authorized repair service.**
- Motor sparks or smokes. **Seek authorized repair service.**

### 5.2 Electrical Shock to Operator

- Equipment wiring failure or electrical short in the machine. **Seek authorized service.**
- Poor grounding or no grounding. **Test the outlet with a ground fault interrupter. Retain certified electrician to inspect and repair grounding. NEVER clip off the ground plug on your cord.**
- Repeated circuit breaking. High amp draw and circuit breaking can be an electrical or mechanical problem. **Seek authorized repair service.**

### 5.3 High Vibration

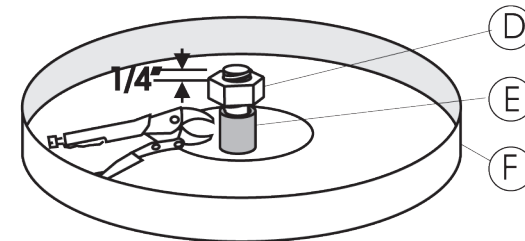
- Pads are not centered on the pad driver. **Tip machine back and re-center the pad.**
- Uneven wear or warp to pad or brushes. **Replace.**
- Machine chassis is damaged by dropping. **Replace.**

**WARNING OF POTENTIAL INJURY. THIS MACHINE HAS MOVING PARTS TO REDUCE RISK OF INJURY, UNPLUG BEFORE SERVICING.**

## 10.0 Flywheel Bearing Set Replacement Continued

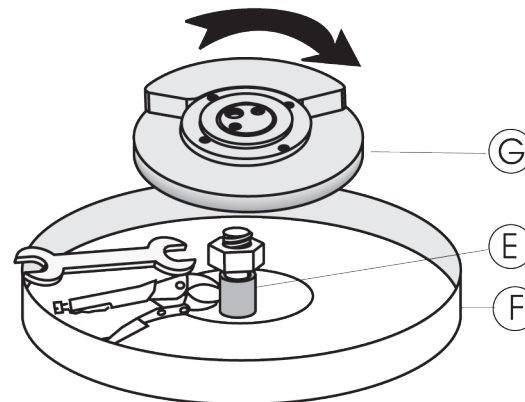
8. Adjust the jam nut (D) on the motor shaft (E) so that 1/4" of the shaft is visible.

Now, grasp the motor shaft (E) between the jam nut (D) and the cast apron (F).



9. Screw the flywheel plate assembly (G) clockwise onto the shaft **until it stops at the jam nut.**

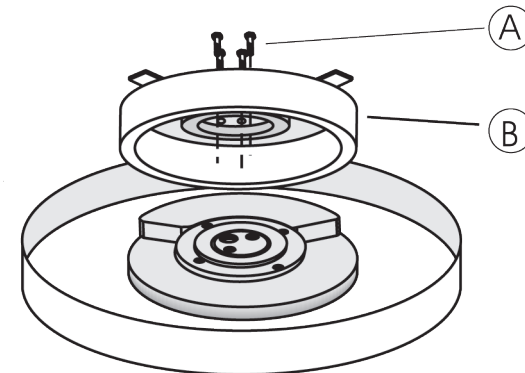
10. Now, finish tightening the jam nut against the flywheel plate by grasping the jam nut (D) with your 1" open ended wrench, and tap with a hammer, counter-clockwise.



11. Remove the wrench and vice-grips, and test your work by spinning the flywheel by hand. The wheel should rotate freely.

12. Replace the pan bottom cover (B). Install and tighten the four allen screws (A).

13. Re-attach the handle. Plug in, and test the machine.



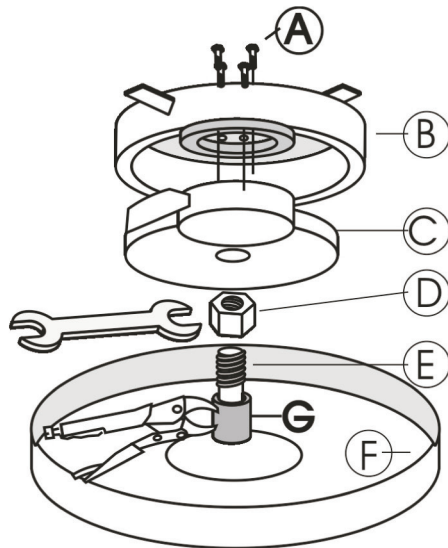
## 10.0 Flywheel Bearing Set Replacement

The orbiting brush drive offers some unique scrubbing results, but also puts a major load on the bearing assembly. Occasionally, bearing replacement will be required. For easiest and best results, remove the machine handle (following the steps on page 7).

Stand the machine upside down on a work bench. Secure the machine to prevent a fall.

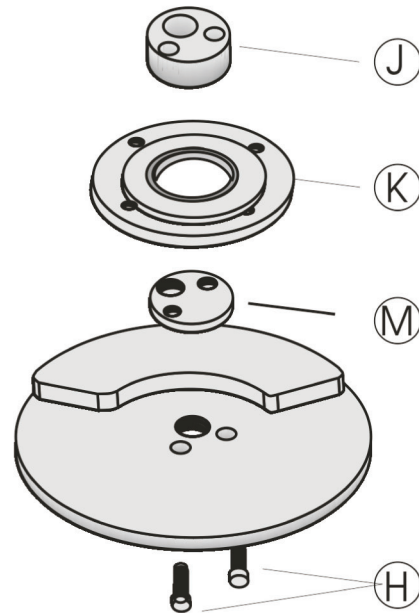
1. Remove the four allen bolts (A). Remove the pad bottom assembly (B) to expose the bearing assembly.
2. Use a vice grip pliers to secure the motor shaft (E) between the jam nut (D) and the buffer cast apron (F). Place the pliers over the black plastic sleeve (G) to prevent thread damage.
3. Grasp the jam nut (D) with a 1" open-ended wrench. Tap with a hammer clockwise to loosen the nut.

When the jam nut is loose, you can remove the flywheel plate (C) by turning it counter-clockwise.



### REPLACE THE BEARING ASSEMBLY

4. Loosen the two hex bolts (H), to disconnect the top orb plug (J) from the bottom orb spacer (M). Grasp the bolts and lift off the top orb plug.
5. Remove the bearing assembly (K).
6. Install the new bearing assembly (PN# 09532666-51)
7. Align the bolt holes on the top orb plug (J) with the bottom orb spacer (M). Reinstall the two hex bolts (H) and tighten in place.



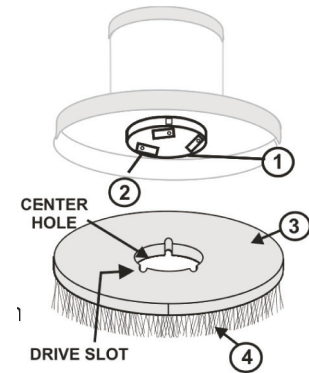
## 6.0 Brush Construction

Brushes and pad drivers mount quickly and reliably on the **drive hub (1)** and are held in place with three adjustable **locking ears (2)** that are riveted to the drive hub. The BISSELL BigGreen Commercial locking key is needed to complete brush mounting.

The **16" brush block (3)** is constructed of molded plastic with a 7.5" center hole and 3 drive slots. These drive slots align with the riveted shoulders on the drive hub and are the surface that the motor pushes against to spin the brush.

The **bristle material (4)** that actually does the scrubbing is 1-3/4" long. Holes are drilled in the block and bundles of bristles are folded in half, forced into the hole, and stapled in place (staple-set).

When the bristles wear down to less than 1/2" long, they have little flexibility and it is time to replace (brush information on page 12).



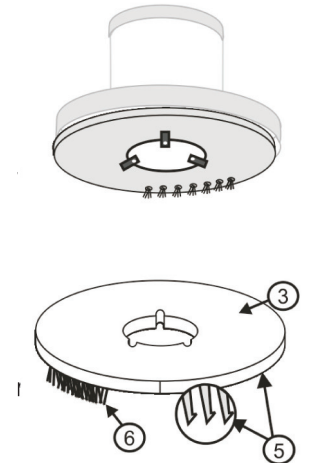
## 7.0 Pad Driver Construction

To scrub or polish with a **non-woven pad**, use a **pad driver** to connect the pad to the BISSELL BigGreen Commercial Lo-Boy Floor Machine.

The injection molded **brush block (3)** is constructed with short "velcro-like" **pad-holding hooks (5)** or 1/2" long, **stiff poly bristles (6)**.

Pad drivers use the same mounting design as brushes (described in section 6.0). Center a pad under the pad driver and lower the machine onto the floor.

No centering / locking hardware is required.



## 8.0 Brush and Pad Driver Filaments

Scrubbing brushes are available (as a separate-purchase accessory) with a range of bristle types – from the softest for the highest gloss floors, to the most aggressive for the heaviest soils. Match your brush to the floor as you select a detergent for your type and level of soils.

**Nylon** is used for general scrubbing. Because nylon softens when wet, it is great for gentle scrubbing, mopping, and polishing of decorative floors. Nylon will not scratch tile, terrazzo or coated surfaces. Nylon brushes are durable and long lasting. **Order black nylon scrub brush for hard floor and carpet care (#82002).**

**Polypropylene** is a common choice for general purpose scrubbing and works well on both concrete and on coated floors. Polypropylene brushes typically cost less than nylon but do not last as long. **Order white poly scrub brush (#82001).**

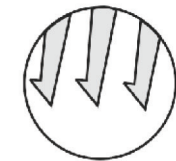
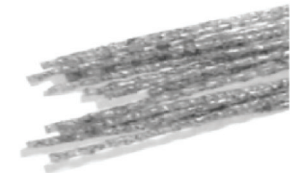
**Union Mix** is a mixture of bassine and tampico (two natural fibers). The mixture is stiffer than bassine alone and is used by more traditional cleaners for scrubbing. Often replaced by poly. **Order tan union mix polishing brush (#82010).**

**Daily Abrasive Bristle** is a 0.035” nylon filament with 180 grade grit. For daily scrubbing of resilient tile and finished floors. As aggressive as a red scrub pad. **Order grit scrub brush (#82003).**

BISSELL BigGreen Commercial offers hook or “velcro-like” style pad drivers and poly bristle pad drivers.

**Hook Style Pad Drivers** use an injection-molded sheet of hooks that is mounted on the same block used for brushes. Hooks work with all pad types. **Order black hook style pad driver (#53269-01-0327).**

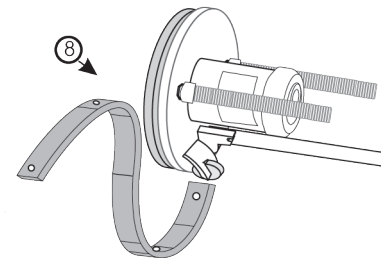
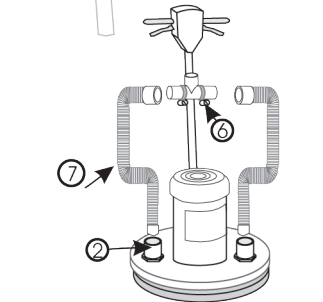
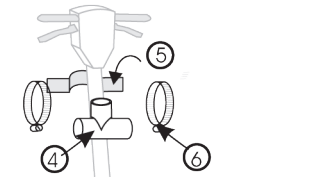
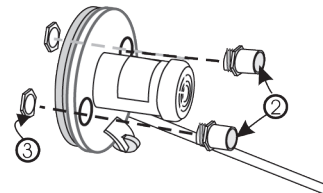
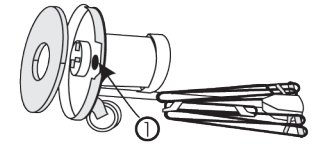
**Bristle Style Pad Drivers** are built with a green, .040” poly bristle that is trimmed to 1/2”. Bristles work with all pad types. **Order green bristle-style pad driver (#53304-01).**



## 9.0 Install the Sanding Kit Accessory

The Sanding Kit Accessory contains adaptors, connectors and vacuum hoses designed to collect and direct sanding dusts into your vacuum system. Follow these steps for easy installation.

1. Tip the **BISSELL BigGreen Commercial Lo-Boy Floor Machine** back and remove the pad driver to expose the underside or the apron and the two exhaust vents with plastic plugs (1).
2. Remove the **two black plastic plugs (1)** by pushing from the bottom side of the apron. Keep these plugs in a safe spot. If ever removing the sanding kit for other floor care tasks, re-install plastic plugs.
3. Insert a **molded exhaust fitting (2)** into each of the exhaust vents. From the bottom side of the machine screw the **locking ring (3)** onto the threaded neck of the **exhaust fitting (2)**. Tighten the ring by hand. Do not over-tighten. Next, tip the machine up.
4. Mount the **molded plastic exhaust “T” (4)** onto then buffer handle using the **“U” shaped mounting bracket (5)** and the **screw mounting clamps (6)** (as shown at right). Leave these fittings loose until step 5 is complete.
5. Install the **flexible vacuum hoses (7)**. Connect each exhaust fitting to the exhaust “T” using the flexible vacuum hoses (as shown at right). The larger end of the hose fits over the exhaust “T” on top. The smaller end of the hose fits inside the exhaust fitting on the apron. Next, adjust the height of the exhaust “T” so that the hose has no kinks or stretches across the length of the handle travel. Tighten both clamps with a screwdriver.
6. Mount the **flexible skirt (8)**. Tip the machine back onto the handle. Start at the back of the machine, snapping the male connectors of the skirt into the female fittings on the apron. The skirt may need to be stretched in order to complete the process.
7. Mount the **pad driver, pad, and sanding screen**. Tip the machine upright.
8. Connect a **backpack or canister vacuum** to the remaining leg of the “T”. The floor machine is ready to sand.



**WARNING – Risk of Explosion. Floor sanding can result in an explosive mixture of find dust and air. Use this floor sanding machine only in a well ventilated area.**