

BG497

Instruction Manual

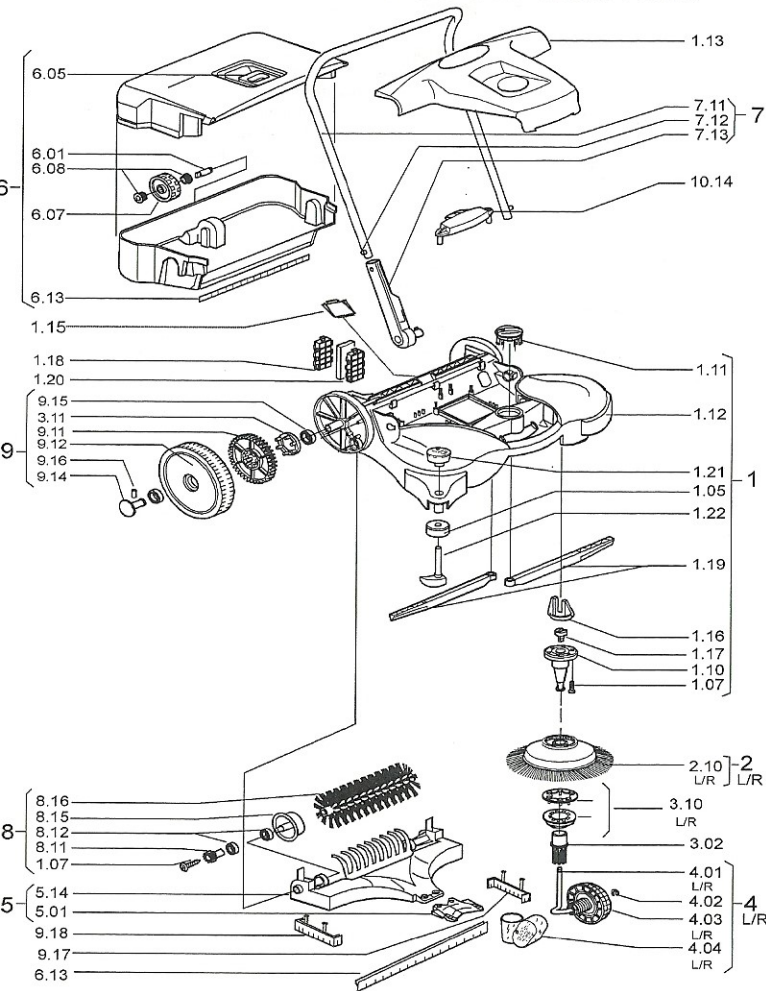


Fig.1

GB/USA

Dear Customers,

We are happy that you chose a quality product.

The 497 is an especially efficient hand sweeping machine that is simple to operate and that can be used for all even and hard surfaces. The unique Turbo sweeping system with circular brushes and sweeping roll guarantees double cleanliness. The flatly operating circular brushes collect all kinds of road dirt, from fine dust to wet leaves, empty cans, and even heavy garbage. The sweeping roll collects fine dust and, in addition, ensures the optimal overhead filling of the dirt container. In order to guarantee a long service life of your sweeping machine, the following operating instructions must be observed.

Assembly of the sliding handle

Fold the the handle fitting (item 7.13) forward to an angle of 45° and pull it. Push the catch spring of the sliding handle (item.7.12) and connect the sliding handle (item.7.11) with the handle fittings (item 7.13) by engaging the catch spring. To fit handle to the sweeper frame (Pos 1.12) fold the handle forward to an angle of 45° towards the front brushes, the handle holder will snap into position. To fix the handle move the handle back to normal sweeping position.

Operation / Adjustment

The 497 sweeping machine is factory preset for even surfaces. The brush pressure is continuously adjustable by means of the adjusting button (item 1.11).

Step 1-2: new brushes for all even floors

Step 3-4: new brushes for wet leaves, sand, uneven floors (e.g. exposed aggregate concrete)

Step 5-8: older brushes for readjustment of the worn brush parts.

Please ensure that the brushes rest on the floor with light pressure only. Deeper adjustments do not bring about better cleaning results and may increase the wear.

Push the sweeping machine with normal speed and lift the sliding handle a little bit. The protruding circular brushes will sweep all the corners, too. To sweep over small steps (2-3 cm) slightly press down the sliding handle. To clean edges push knob (item 1.22).

Storage (Fig 1)

The best way to store the Turbo sweeping machine is in the vertical position and can be best accomplished by placing the unit on the backside of the bin or by suspending it with the sliding frame (top side of the machine in direction to the wall).

Emptying

To open the dirt bin, pull the bin handle (item 6.05) upward. After removing and emptying the bin, replace it and lock it by pushing down the bin handle.

Maintenance

You chose a product that is easy to maintain. Disc brushes, roller brush and drive can all be cleaned with a rag and water. Do not submerge any of these parts in water! Never use a pressure washer for cleaning! All of the bearings are dust-protected and when used and maintained correctly, this machine is maintenance-free.

Please clean/wash the dust filters from time to time

WARNING: Built-up dirt and spooled laces etc. behind the brushholder (Pos. 8.15) can impede the manoeuvrability of the sweeping machine and adversely effect its operation. Maintaining your sweeping machine will ensure its operation and long life.

In order to guarantee an easy and wear-resistant operation, the brush drives Pos. 4.03 + 3.0 should be sprayed with the original lubricant spray from time to time. Do not use other oils or grease.

Exchanging Brushes

The brushes are made of highly wear-resistant material. After using them many years, it may be necessary to replace them. We recommend to replace the complete brush set at the same time. For the replacement of the circular brushes, set the height adjustment (item 1.11) to step 8 and place the machine vertically. Then, pull the oblique wheel (item 4L/R) strongly and remove it together with the shaft from the machine. Next, strongly pull off the circular brushes (item 2L/R) together with the tooth sleeve and the clutch (item 3L/R) from the pivot housing.

Attention: The markings for L and R are applied on the inside of the frame (item 1.12), on the helical gears and on the clutches (item 3.10). The circular brushes are marked on the bottom with L// or R\\ depending on the direction of the bristles. Ensure that the correct side of assembly is used. The assembly is carried out in reverse order: Fit the circular brushes into the pivot housing. Then, fit the clutch (item 3.10) into the tooth sleeve (item 3.02) and insert them into the circular brush. Lastly, insert and engage the oblique wheel – and you're ready to go.

For the replacement of the sweeping roll, press the stop bracket of the brush holder (item 8.15). Ensure that the bristles are not pinched laterally and that the stop bracket is in its correct starting position again.

Guarantee

4 year warranty against wear for the disc brushes
2 year warranty for all other parts referring to the EU-law (excludes wear)

What should be done when the unit does not run smoothly?

1. Check the sweeping pressure adjustment
2. Clean the unit and remove spooled laces etc.
3. Spray the gear parts with special spray
4. Check the sense of rotation of the circular brushes (after repair)